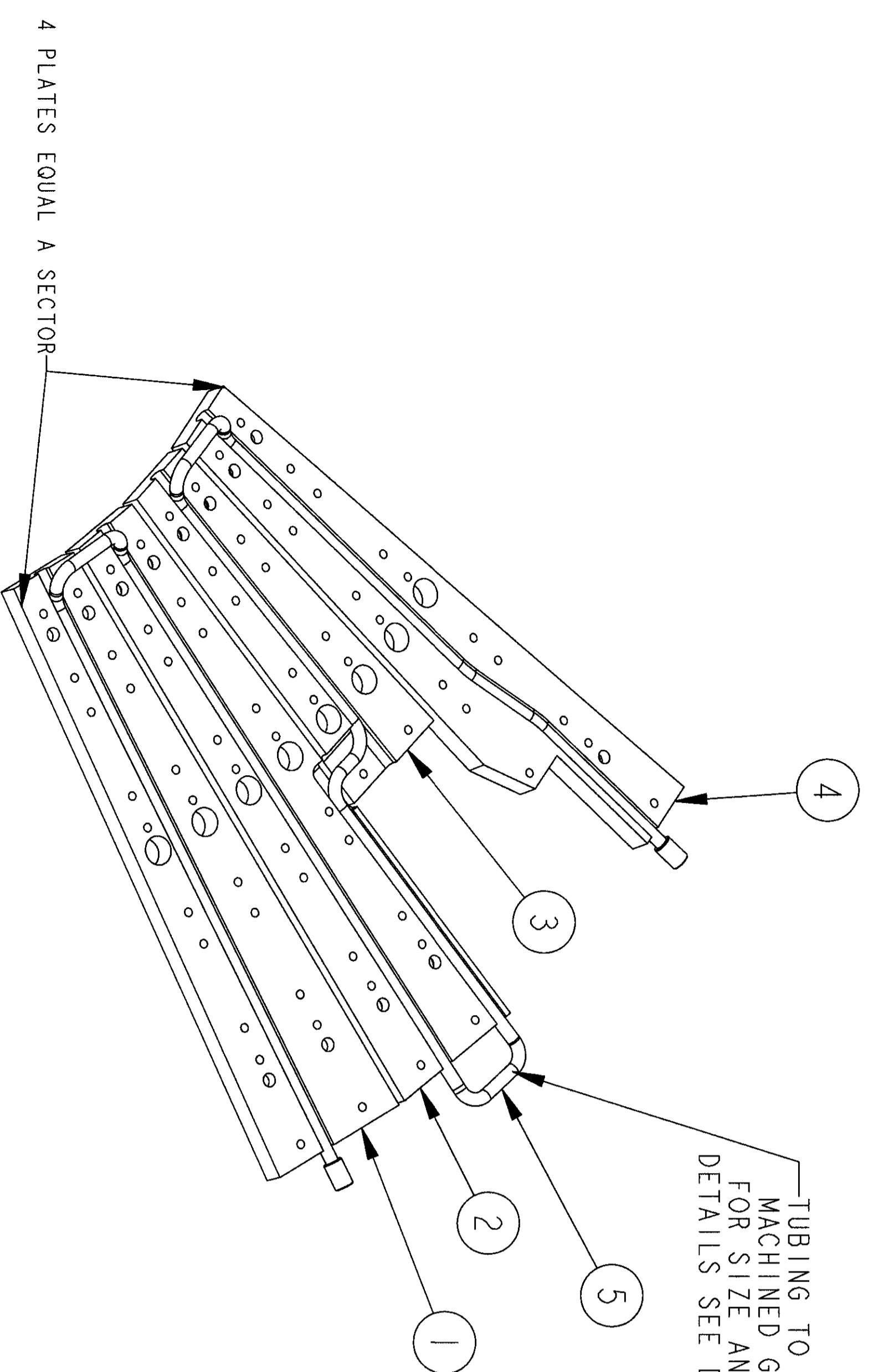
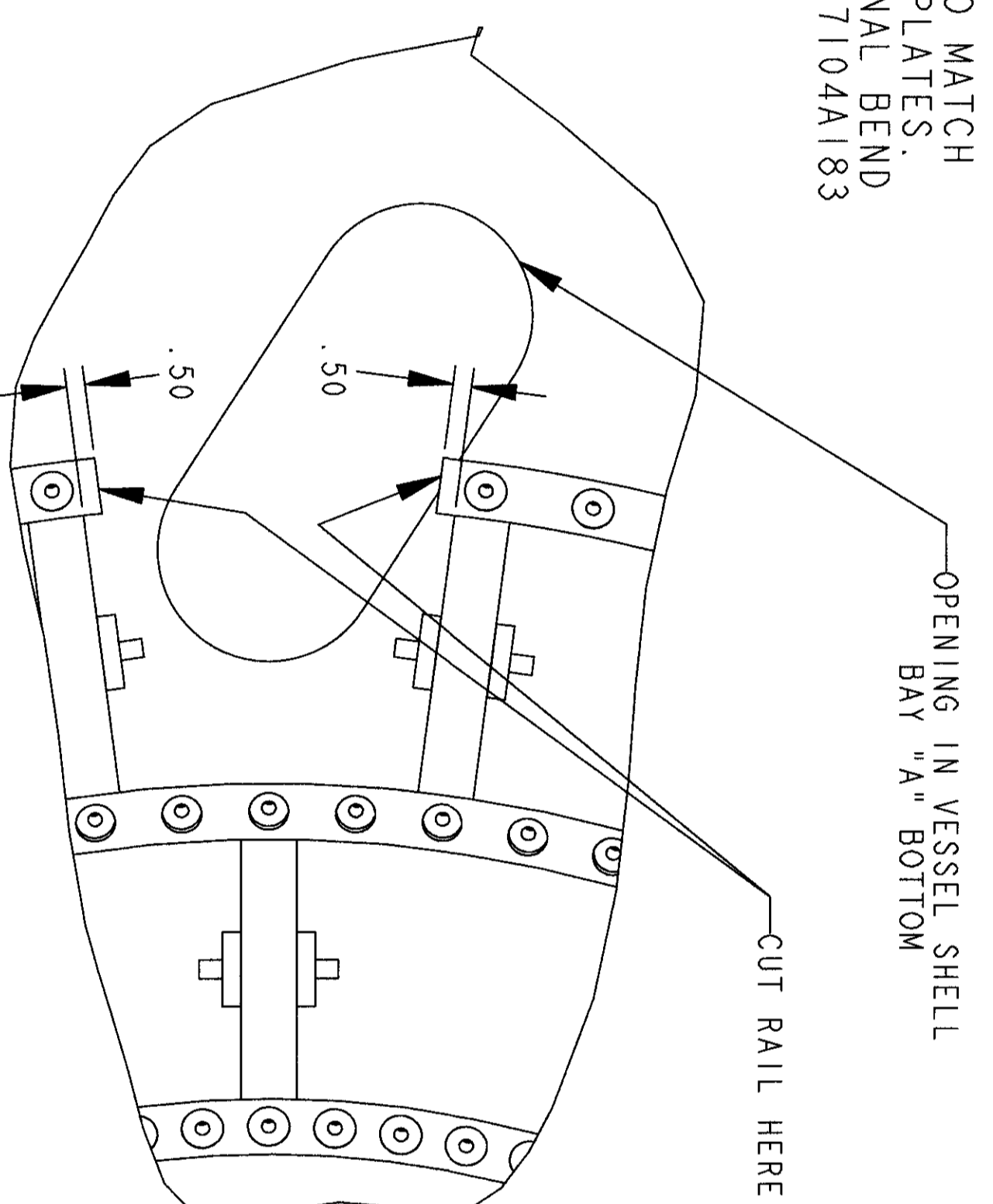


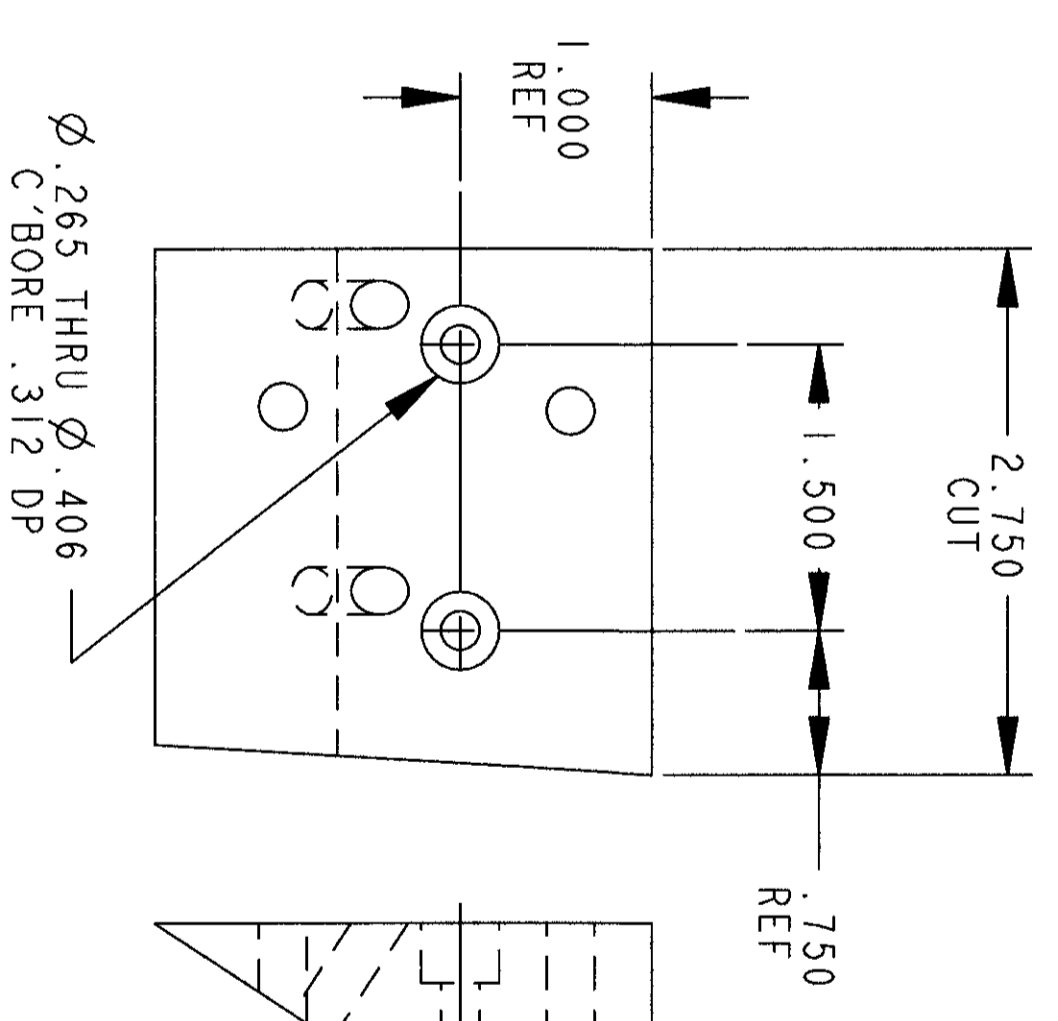
**BAY "A" LOWER OPENING  
DIVERTOR AND SECONDARY PASSIVE PLATE  
MODIFICATION ASSY**  
EXISTING HARDWARE TO BE USED TO MOUNT  
DIVERTOR PLATES AND SECONDARY PASSIVE PLATE



**DETAIL "B"  
BRAZING OF COOLING  
TUBE INTO DIVERTOR PLATES**



**DETAIL "A"  
MODIFICATION TO SUPPORT  
RAIL FOR DIVERTOR PLATES**



**DETAIL "B"  
MODIFICATION TO  
PART EDB1045**

**BAY "A" LOWER OPENING  
DIVERTOR AND SECONDARY PASSIVE PLATE  
TILE MODIFICATION ASSY**  
EXISTING HARDWARE TO BE USED  
TO MOUNT THE BRAS AND TILES

| PART NO. | DRAWING NO | DESCRIPTION  | MATERIAL |
|----------|------------|--|----------|
| 03 02 01 |            | BAY "A" LOWER OPENING  |          |
| 14       | E-DB1322-7 | SECONDARY PASSIVE PLATE TILE                                     | SEE DWG  |
| 13       | E-DB1322-6 | SECONDARY PASSIVE PLATE TILE                                     | SEE DWG  |
| 12       | E-DB1322-5 | SECONDARY PASSIVE PLATE TILE                                     | SEE DWG  |
| 11       | E-DB1322-4 | SECONDARY PASSIVE PLATE TILE                                     | SEE DWG  |
| 10       | E-DB1322-3 | SECONDARY PASSIVE PLATE TILE                                     | SEE DWG  |
| 9        | E-DB1322-2 | SECONDARY PASSIVE PLATE TILE                                     | SEE DWG  |
| 8        | E-DB1322-1 | SECONDARY PASSIVE PLATE TILE                                     | SEE DWG  |
| 7        | E-DB1321-1 | LOWER DIVERTOR TILE  | SEE DWG  |
| 6        | E-DB1327-1 | SECONDARY PASSIVE PLATE/JUMPER                                   | SEE DWG  |
| AR       |            | TUBING AND FITTINGS TO MATCH EXISTING SEE DETAIL "B" FOR ROUTING | -----    |
| 5        | E-DB1319-5 | LOWER OUTBOARD DIVERTOR PLATE                                    | SEE DWG  |
| 4        | E-DB1319-3 | LOWER OUTBOARD DIVERTOR PLATE                                    | SEE DWG  |
| 3        | E-DB1319-2 | LOWER OUTBOARD DIVERTOR PLATE                                    | SEE DWG  |
| 2        | E-DB1319-1 | LOWER OUTBOARD DIVERTOR PLATE                                    | SEE DWG  |
| 1        |            | BAY "A" LOWER DIAG. ASSY OPENING                                 | -----    |

| ASSY QTY | PART NO. | DRAWING NO | DESCRIPTION           | MATERIAL |
|----------|----------|------------|-----------------------|----------|
| 03       | 02       | 01         | BAY "A" LOWER OPENING |          |

**PARTS LIST**

COMPUTER GENERATED GENERAL FILES: PRINCETON UNIVERSITY PLASMA PHYSICS LABORATORY

MANUFACTURING DIMENSIONS ARE IN INCHES NATIONAL SPHERICAL TORUS EXPERIMENT

PROJODIAL ROTATION DIAGNOSTIC DIVERTOR AND SECOND PASSIVE PLATES MODIFICATIONS WITH ASSEMBLY OF TILES FOR OPENING

NO NOT EXIST INFORMATION BREAK SHAPE EDGES .002-0.020 TOLERANCES NON-CUMULATIVE DIV: MECH. ENG. DATE: 1/9/84

NEXT ASSEMBLY: DECIMAL INCH FRACTIONS ENG. R. PAUL

APPROVED: [Signature] E-DB1328

WELDING ENGINEER DATE

APPROVED: [Signature] SHEET 1 OF 1 REV 0

RELEASED FOR FABRICATION/INSTALLATION  
PPPL CENTRAL FILES  
RELEASE DATE: 1/9/84  
EXPIRATION DATE: [Signature]

| NO. | REVISION | BY | CHK | SUP | APPROVED | DATE |
|-----|----------|----|-----|-----|----------|------|
|     |          |    |     |     |          |      |