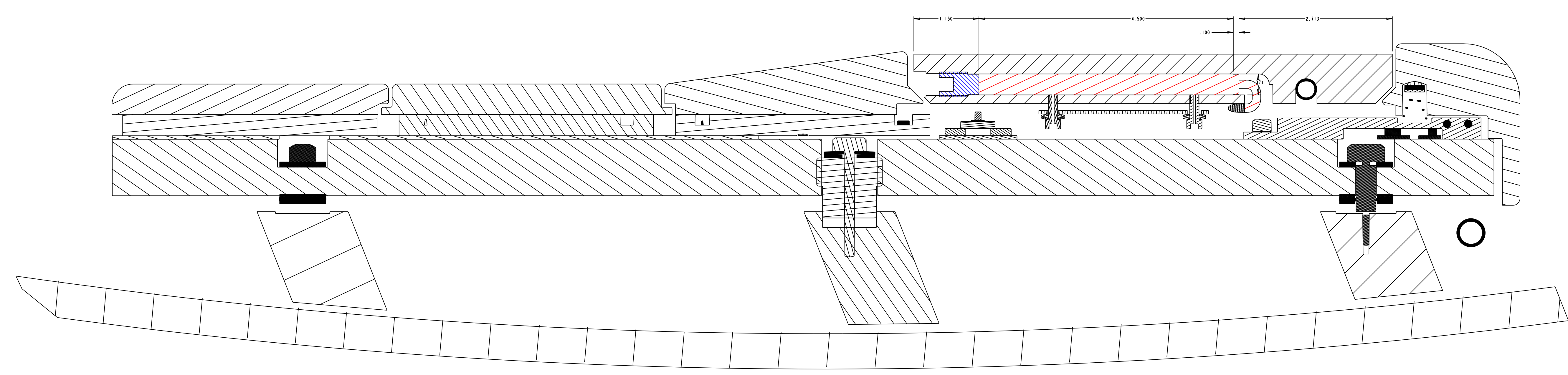
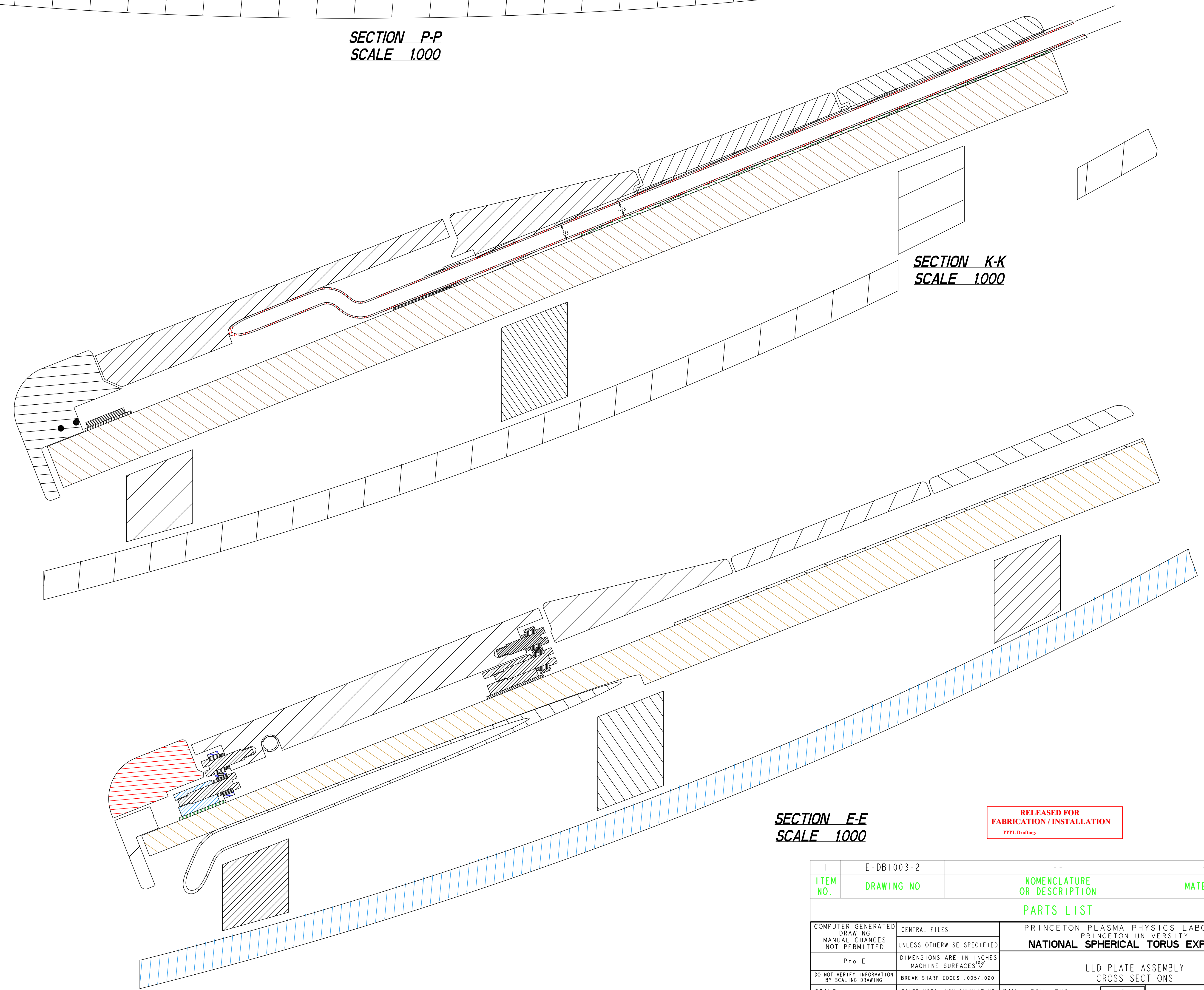


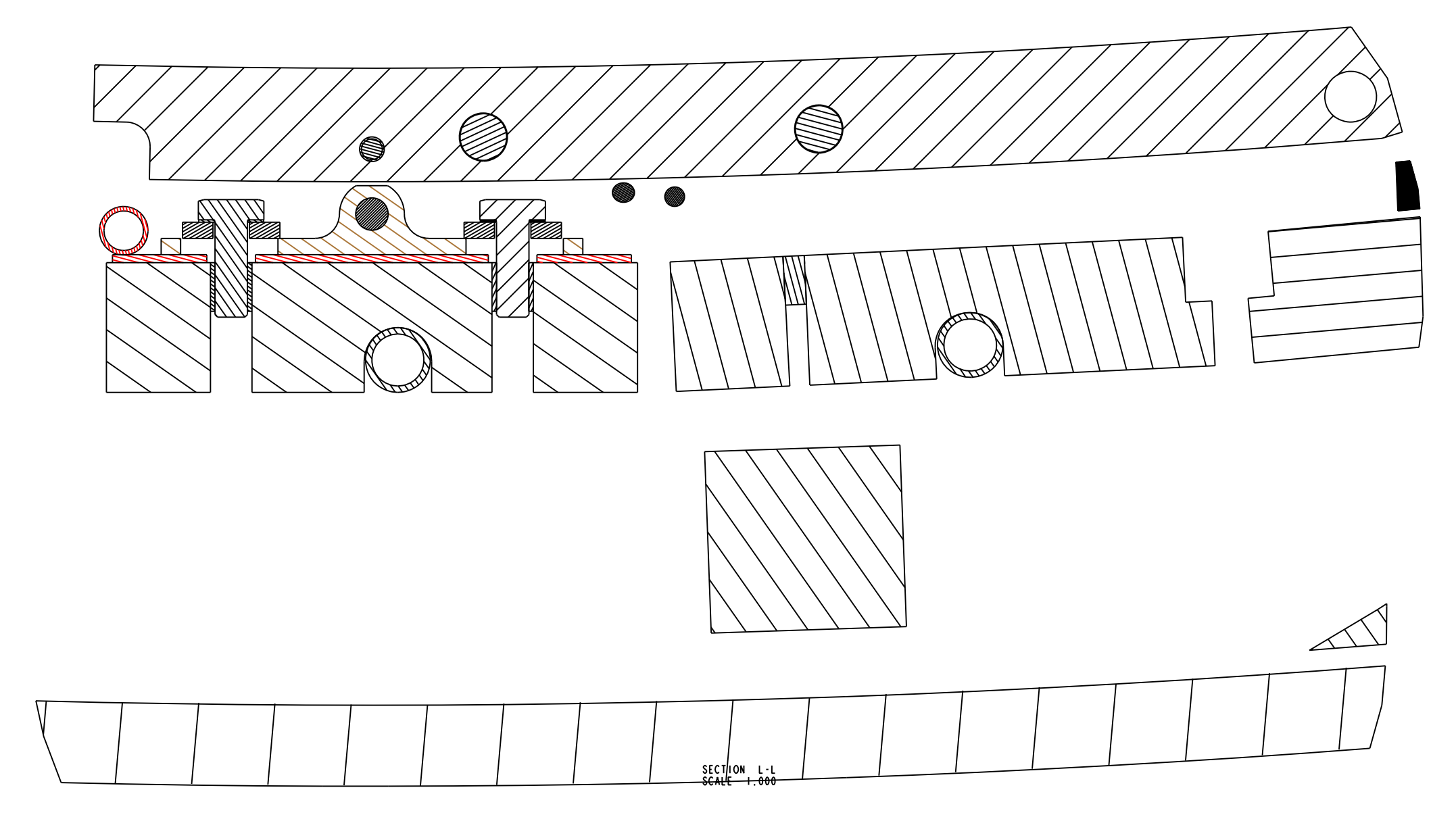
NO.	REVISION	BY	CH	SUP	APPROVED	DATE



SECTION P-P  
SCALE 1.000



SECTION K-K  
SCALE 1.000



SECTION L-L  
SCALE 1.000

SECTION E-E  
SCALE 1.000

RELEASED FOR  
FABRICATION/INSTALLATION  
PPPL Drafting

RELEASE LEVEL: FABRICATION  
DWG VERSION NO: 18

WELDING ENGINEER  
APPVD: DATE:

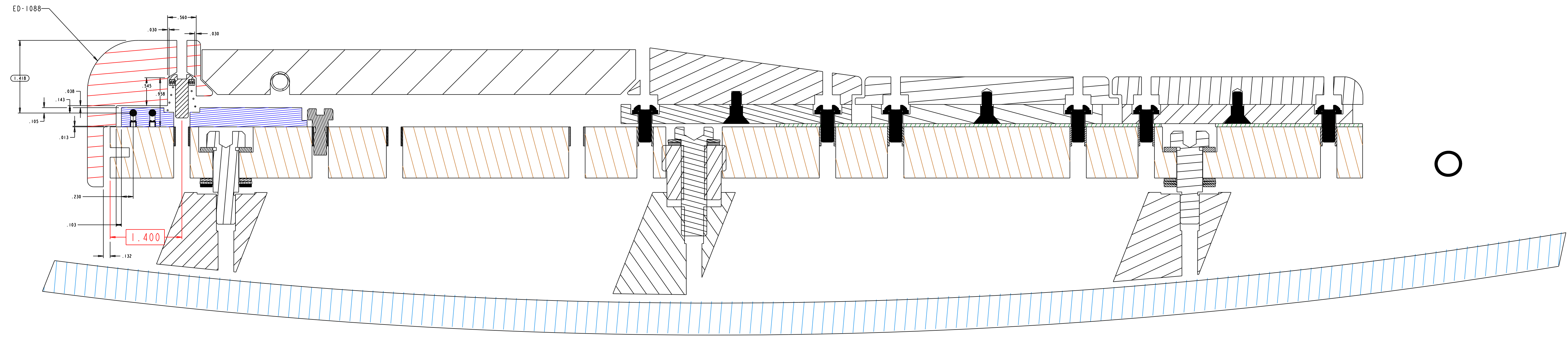
1	E-DB1003-2			
ITEM NO.	DRAWING NO	NOMENCLATURE OR DESCRIPTION	MATERIAL	QTY RECD.
PARTS LIST				
COMPUTER GENERATED DRAWING MANUAL CHANGES NOT PERMITTED	CENTRAL FILES: UNLESS OTHERWISE SPECIFIED	PRINCETON PLASMA PHYSICS LABORATORY PRINCETON UNIVERSITY NATIONAL SPHERICAL TORUS EXPERIMENT		
Pro E	DIMENSIONS ARE IN INCHES MACHINE SURFACES <sup>13</sup>	LLD PLATE ASSEMBLY CROSS SECTIONS		
DO NOT VERIFY INFORMATION BY SCALING DRAWING	BREAK SHARP EDGES .005/.020	DATE: 10/05/09		
SCALE:	TOLERANCES NON-CUMULATIVE	DIV: MECH. ENG.	APPROVED:	
NEXT ASSEMBLY	DECIMAL-INCH FRACTIONS	ENG: M VIOLA	CHK: M VIOLA	E-ED1199
	.X .100 0°-12° .0174	DSN: R UPCAVAGE	APPV: [ ]	
	.XX .030 12°-72° .0174	CHK: M VIOLA	SUPV: [ ]	
	.XXX .005 72°-120° .0174	DATE: [ ]	DATE: [ ]	
	ANGULAR 20°-15° OVER 120° .0172	DATE: [ ]	DATE: [ ]	

INSTX-E-ED1199

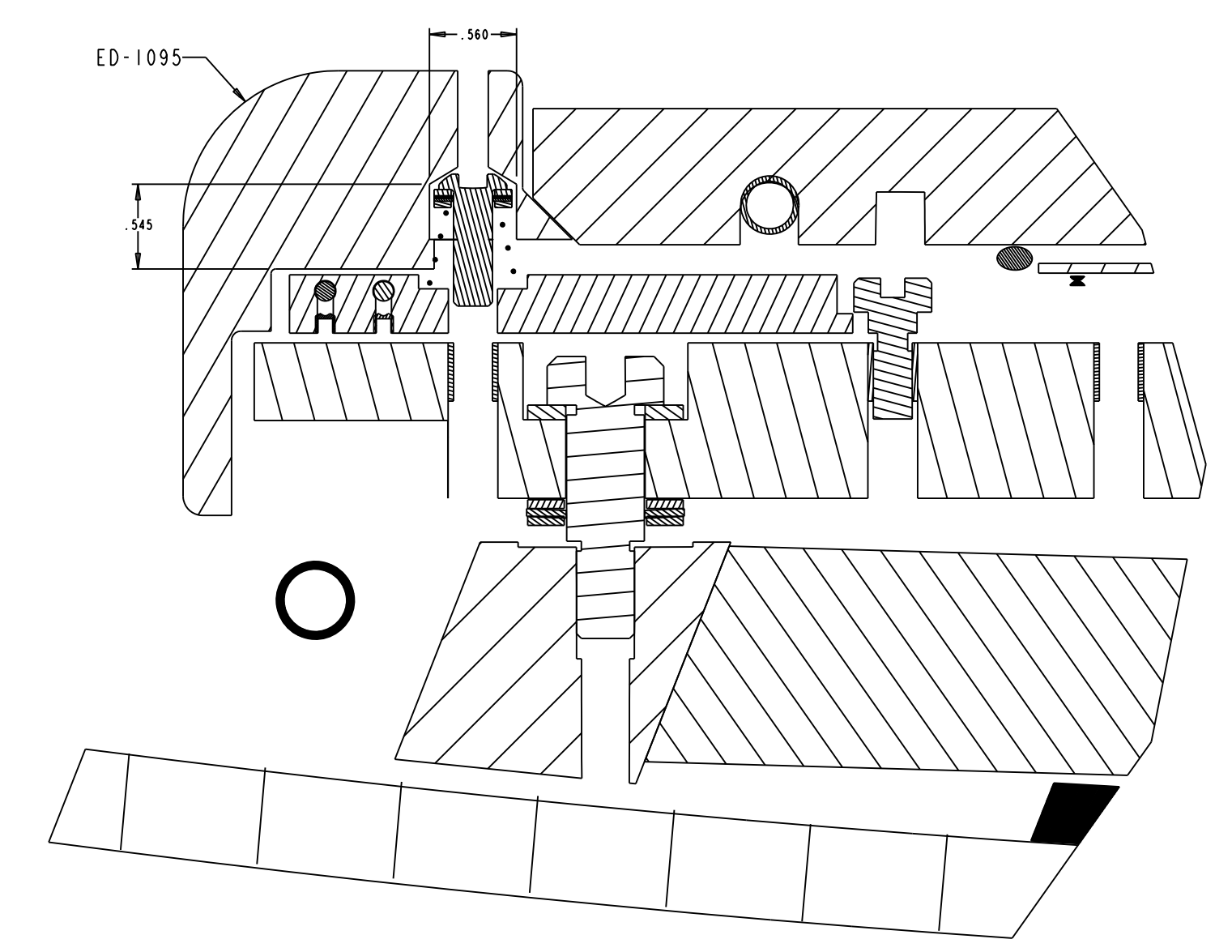
SHEET 1 OF 2 REV 0



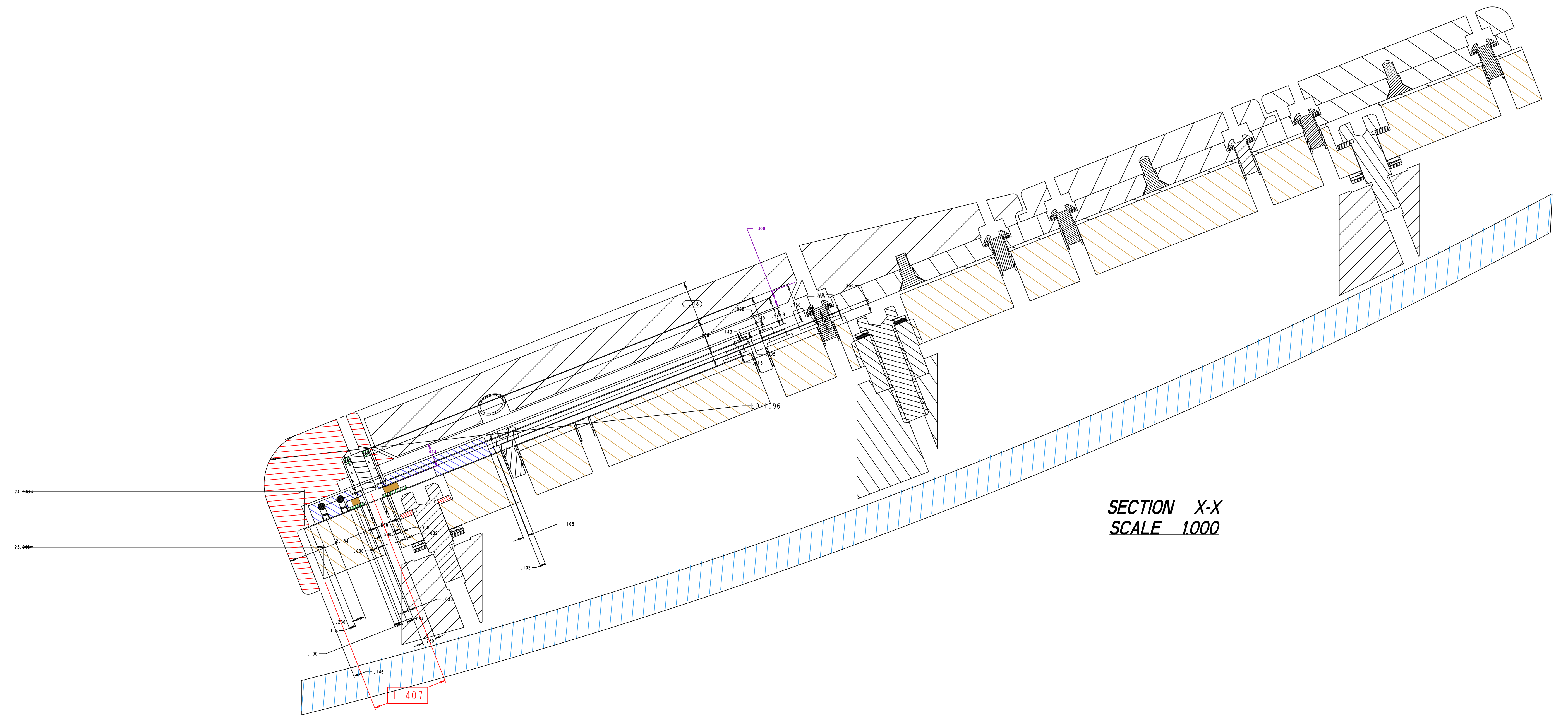
NO.	REVISION	BY	CH	SUP	APPROVED	DATE



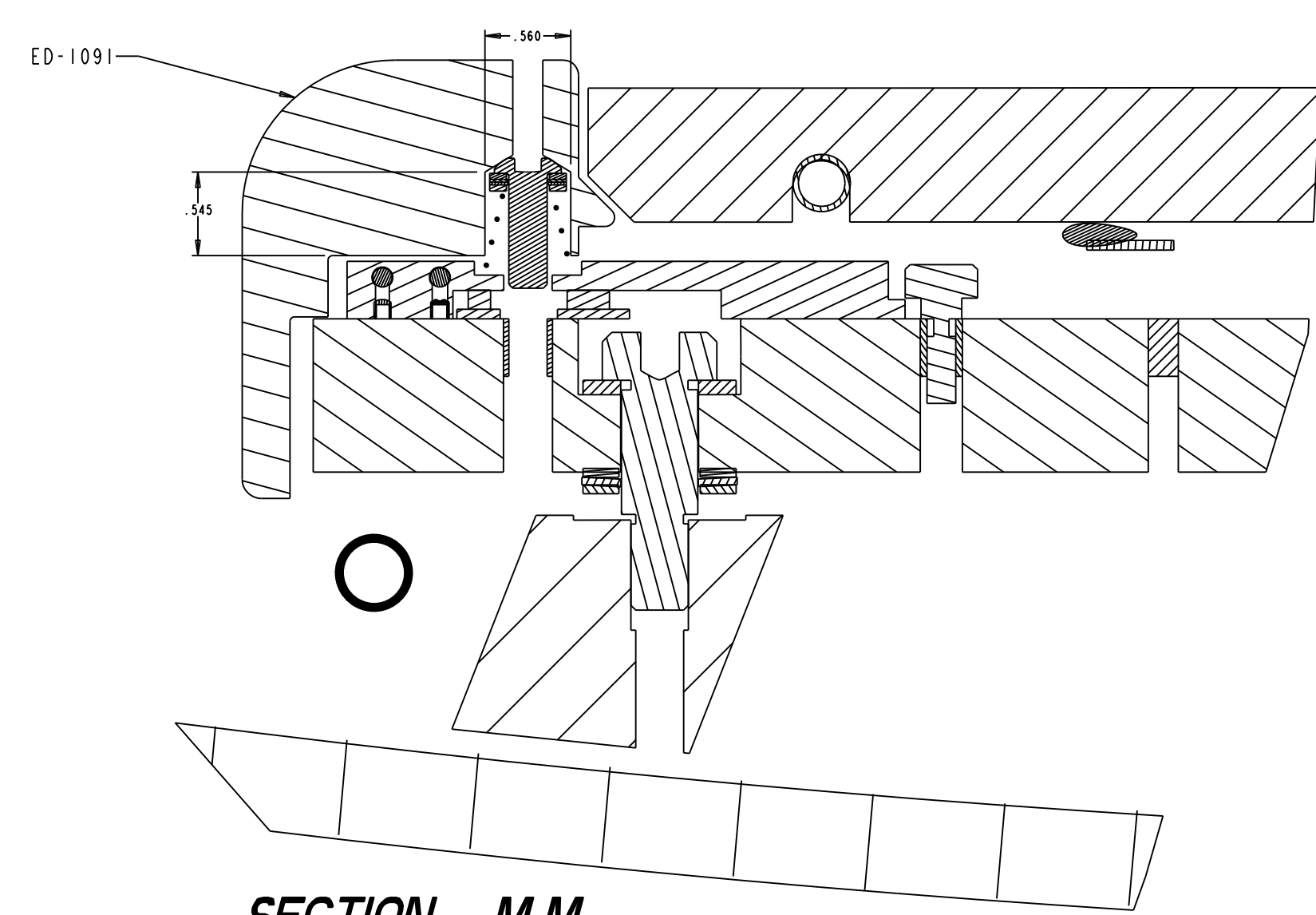
SECTION F-F  
SCALE 1.000



SECTION N-N  
SCALE 1.000



SECTION X-X  
SCALE 1.000



SECTION M-M  
SCALE 1.000

RELEASE LEVEL: FABRICATION  
DWG VERSION NO: 18

WELDING ENGINEER  
APPROV: DATE:

ITEM NO.	E-DB1003-2	DRAWING NO		NOMENCLATURE OR DESCRIPTION		MATERIAL		QTY RECD.	
PARTS LIST									
COMPUTER GENERATED DRAWING	CENTRAL FILES:	PRINCETON PLASMA PHYSICS LABORATORY							
MANUAL CHANGES NOT PERMITTED	UNLESS OTHERWISE SPECIFIED	PRINCETON UNIVERSITY							
Pro E	DIMENSIONS ARE IN INCHES	NATIONAL SPHERICAL TORUS EXPERIMENT							
DO NOT VERIFY INFORMATION BY SCALING DRAWING	BREAK SHARP EDGES .005/ .020	LLD PLATE ASSEMBLY CROSS SECTIONS							
SCALE:	TOLERANCES NON-CUMULATIVE	DIV: MECH. ENG.	DATE: 10/05/09	APPROVED:					
NEXT ASSEMBLY	DECIMAL - INCH	FRACTIONS	ENG: M. VIOLA	E-ED1199					
	.X 0.100 0'-12"	0/16	DSN: R UPCAVAGE	SHEET 2 OF 2					
	.XX 0.030 12'-32"	0/16	CHK: M VIOLA	REV 0					
	.XXX 0.005 32'-120"	0/16	CHK: M VIOLA	SHEET 2 OF 2					
	ANGULAR 0°-15'	OVER 120°	DATE: 10/05/09	REV 0					

INSTX-E-ED1199