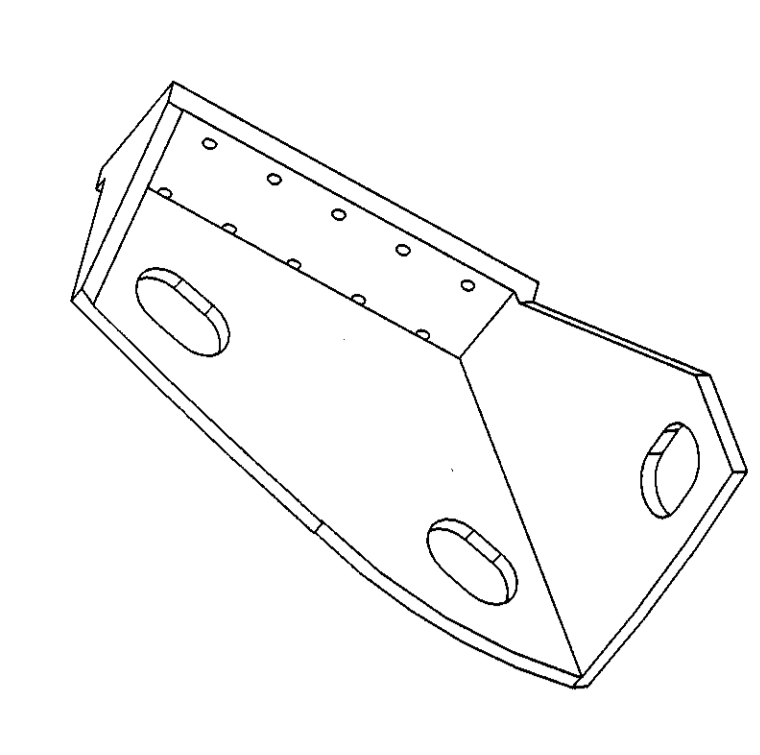
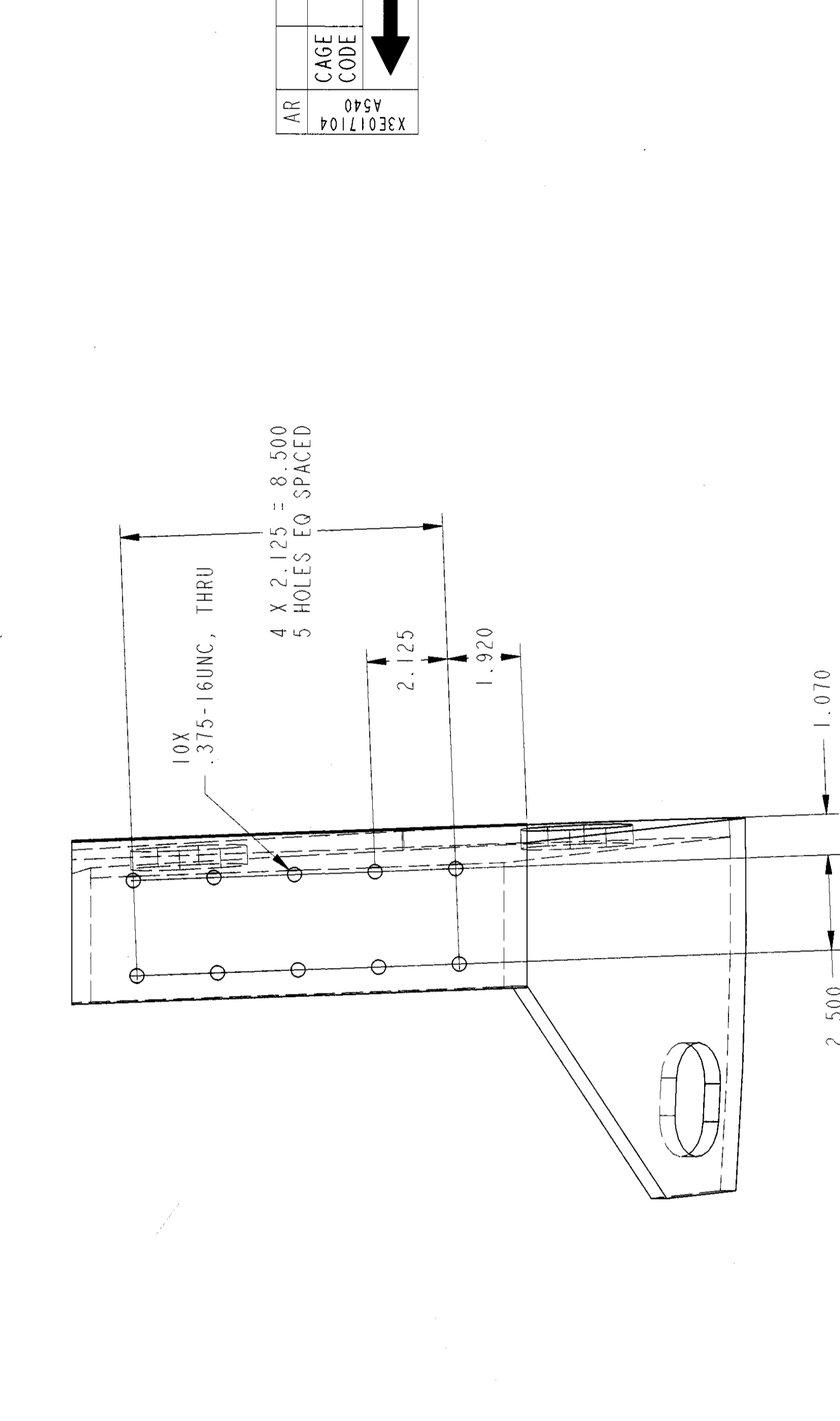
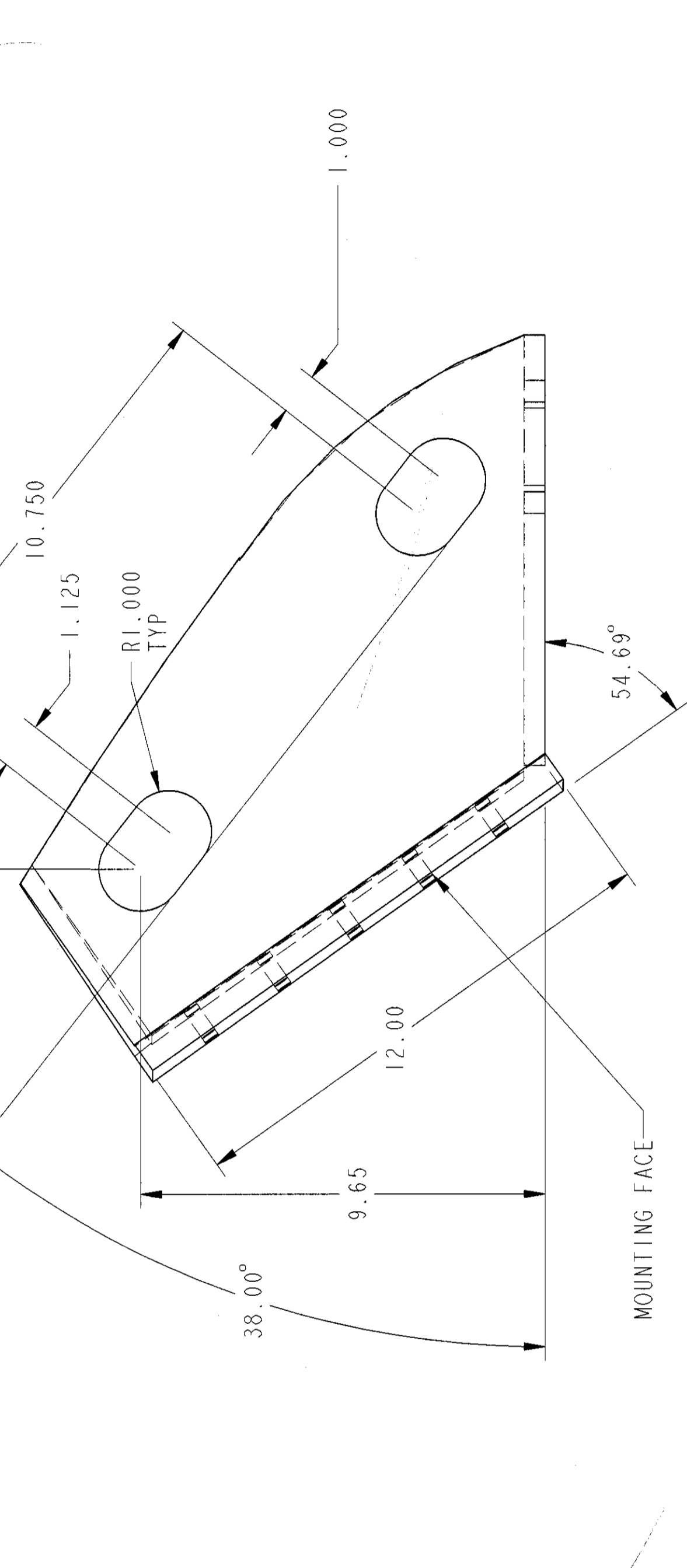
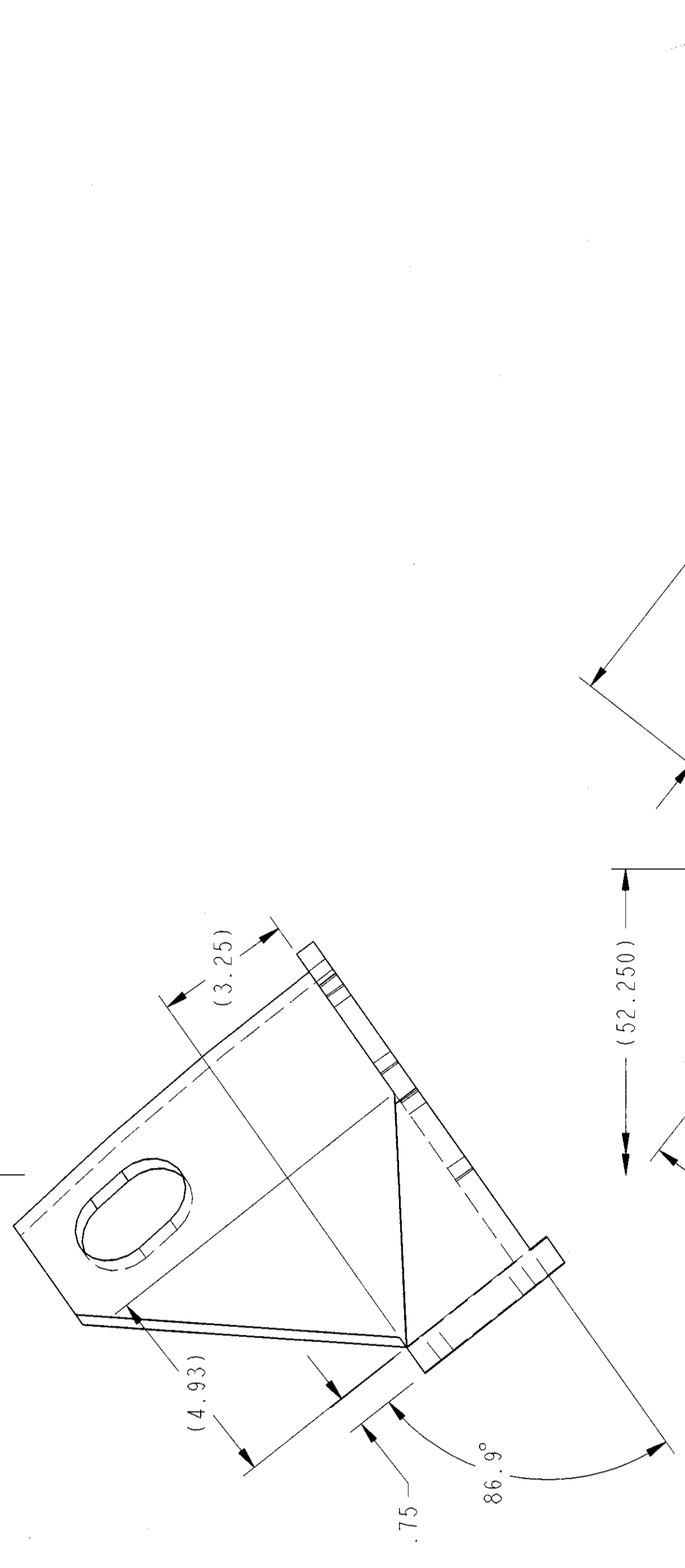
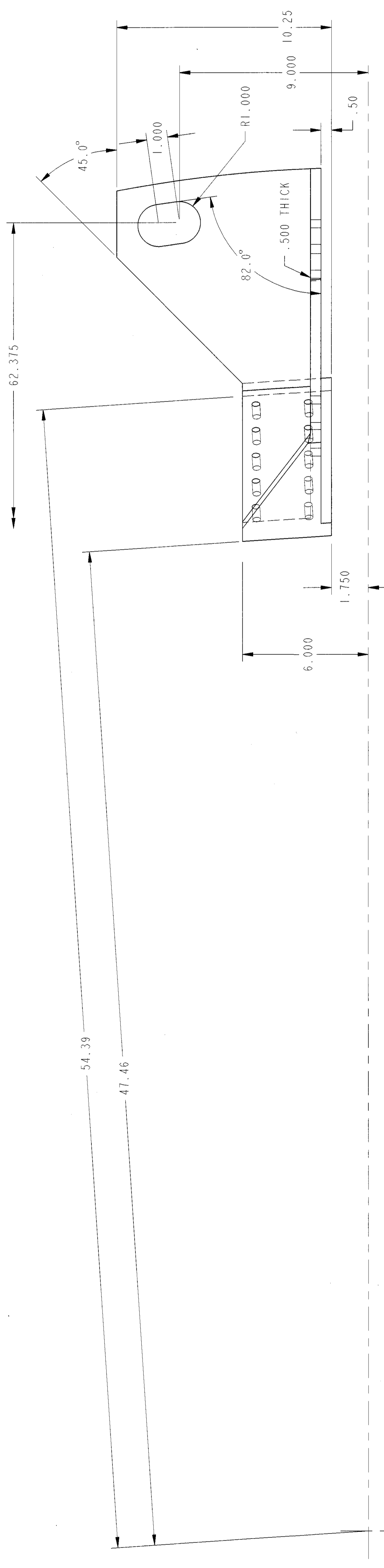


8 7 6 5 4 3 2 1 FINAL ASS'Y

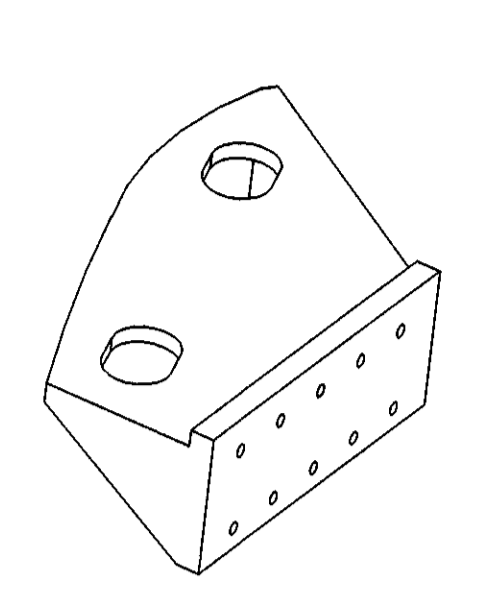
H G F E D C B A

**NOTES**

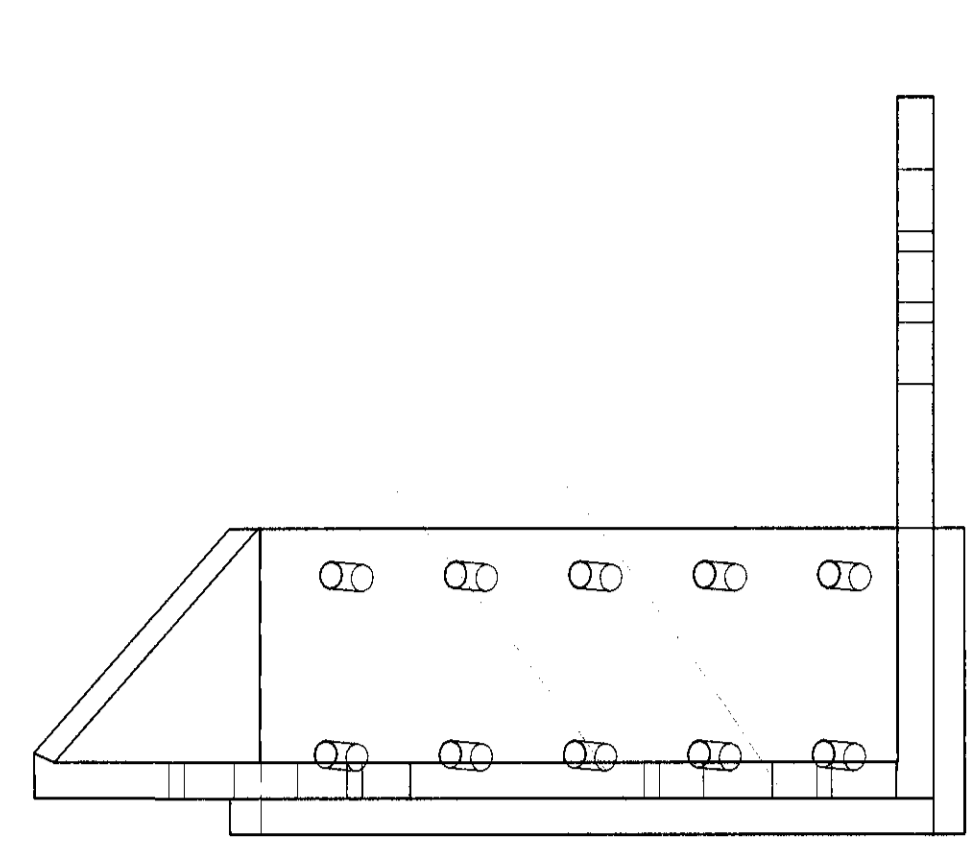
1. INTERPRET DRAWING PER MECHANICAL ENGINEERING DRAFTING STANDARD ES-3.1-2.
2. INTERPRET DIMENSIONS AND TOLERANCES PER ANSI Y14.5M.
3. DIMENSIONS ARE IN INCHES.
4. ONE PIECE CONSTRUCTION PREFERABLE. OPTIONAL WELDED CONSTRUCTION PERMISSIBLE USING FULL PENETRATION CONTINUOUS BEVEL OR V-GROOVE WELDS.



SCALE 0.188



SCALE 0.188



SCALE 0.188

VIEW NORMAL TO MOUNTING FACE

AR	CAGE CODE	PART OR IDENTIFYING NO	LEFT BRACKET WELDMENT	SST	MATERIAL	SPECIFICATION	FIND NO
X3E017104							

**PARTS LIST**

QTY	DESCRIPTION	UNIT	DATE	BY	CHKD	APP'D
1	LEFT BRACKET WELDMENT					
1	RIGHT BRACKET WELDMENT					

REV	DATE	BY	CHKD	APP'D	REVISION OR ISSUE PURPOSE
0					ORIGINAL ISSUE
1					
2					
3					

QTY	DESCRIPTION	UNIT	DATE	BY	CHKD	APP'D
1	LEFT BRACKET WELDMENT					
1	RIGHT BRACKET WELDMENT					

REV	DATE	BY	CHKD	APP'D	REVISION OR ISSUE PURPOSE
0					ORIGINAL ISSUE
1					
2					
3					

QTY	DESCRIPTION	UNIT	DATE	BY	CHKD	APP'D
1	LEFT BRACKET WELDMENT					
1	RIGHT BRACKET WELDMENT					

REV	DATE	BY	CHKD	APP'D	REVISION OR ISSUE PURPOSE
0					ORIGINAL ISSUE
1					
2					
3					

QTY	DESCRIPTION	UNIT	DATE	BY	CHKD	APP'D
1	LEFT BRACKET WELDMENT					
1	RIGHT BRACKET WELDMENT					

REV	DATE	BY	CHKD	APP'D	REVISION OR ISSUE PURPOSE
0					ORIGINAL ISSUE
1					
2					
3					

NO REPRESENTATION OR WARRANTY EXPRESSED OR IMPLIED IS MADE BY THE DRAWING OR ANY STATEMENTS CONTAINED IN THESE DRAWINGS, OR THE INFORMATION OR DATA ON WHICH THESE DRAWINGS ARE BASED. THE USER OF THESE DRAWINGS SHALL BE RESPONSIBLE FOR THE ACCURACY OF THE INFORMATION AND DATA ON WHICH THESE DRAWINGS ARE BASED. THE USER OF THESE DRAWINGS SHALL BE RESPONSIBLE FOR THE ACCURACY OF THE INFORMATION AND DATA ON WHICH THESE DRAWINGS ARE BASED.

THIS DRAWING PRODUCED ON PRO-ENGINEER THIS DOCUMENT CONTROLLED BY CHANGE CONTROL SYSTEM. ENGINEERING PROCEDURE. P. C. 18.

LOCKHEED MARTIN ENERGY SYSTEMS, INC. APPROVED FOR THE DEPARTMENT OF ENERGY BY U.S. GOVERNMENT CONTRACT DE-AC-68-8082140

NSIX

SECONDARY PASSIVE PLATE LEFT BRKT WELDMENT

DATE: 6/18/88

SCALE: 3/15

DESIGNER: P. GORANSON

DRAWN BY: M. T. BROWN

SECURITY CLASSIFICATION: UNCLASSIFIED

FRACTIONS: XX DECIMALS ±.01

ANGLES: XXX DECIMALS ±.005

BECOM SHARP EDGES 01 MIL FINISH UNLESS OTHERWISE SPECIFIED

QUALITY VERIFICATION MECHANICAL AND STRUCTURAL REFERENCE ORNL 09-001

303 MATERIAL WILL TEST REPORT

304 MATERIAL WILL TEST REPORT

305 MATERIAL WILL TEST REPORT

306 MATERIAL WILL TEST REPORT

307 MATERIAL WILL TEST REPORT

308 MATERIAL WILL TEST REPORT

309 MATERIAL WILL TEST REPORT

310 MATERIAL WILL TEST REPORT

311 MATERIAL WILL TEST REPORT

312 FIELD INSPECTION AND TEST PLAN

313 FIELD INSPECTION AND TEST REPORT

314 WELD AND BRACKET INSPECTION REPORT

315 CLEANING CERT

316 CLEANING REPORT

317 REVELATION REQUEST

318 REVELATION REPORT

319 NONCONFORMANCE REPORT

320 NONCONFORMANCE REPORT

321 NONCONFORMANCE REPORT

322 NONCONFORMANCE REPORT

323 NONCONFORMANCE REPORT

324 NONCONFORMANCE REPORT

325 NONCONFORMANCE REPORT

326 NONCONFORMANCE REPORT

327 NONCONFORMANCE REPORT

328 NONCONFORMANCE REPORT

329 NONCONFORMANCE REPORT

330 FUNCTIONAL TEST REPORT

100 DOCUMENTATION

1 SYMBOL 1 INDICATES APPLICABLE TO ALL PARTS OR ITEMS

ON COORDINATOR: P. GORANSON

DATE: 6/18/88

REV 1 2 3 4 5 6 7 8 9 10 11 12 13 14 15 16 17 18 19 20 21 22 23 24 25 26 27 28 29 30 31 32 33 34 35 36 37 38 39 40 41 42 43 44 45 46 47 48 49 50 51 52 53 54 55

CLASS: UNCLASSIFIED

CONTROL NO: X3E017104A541