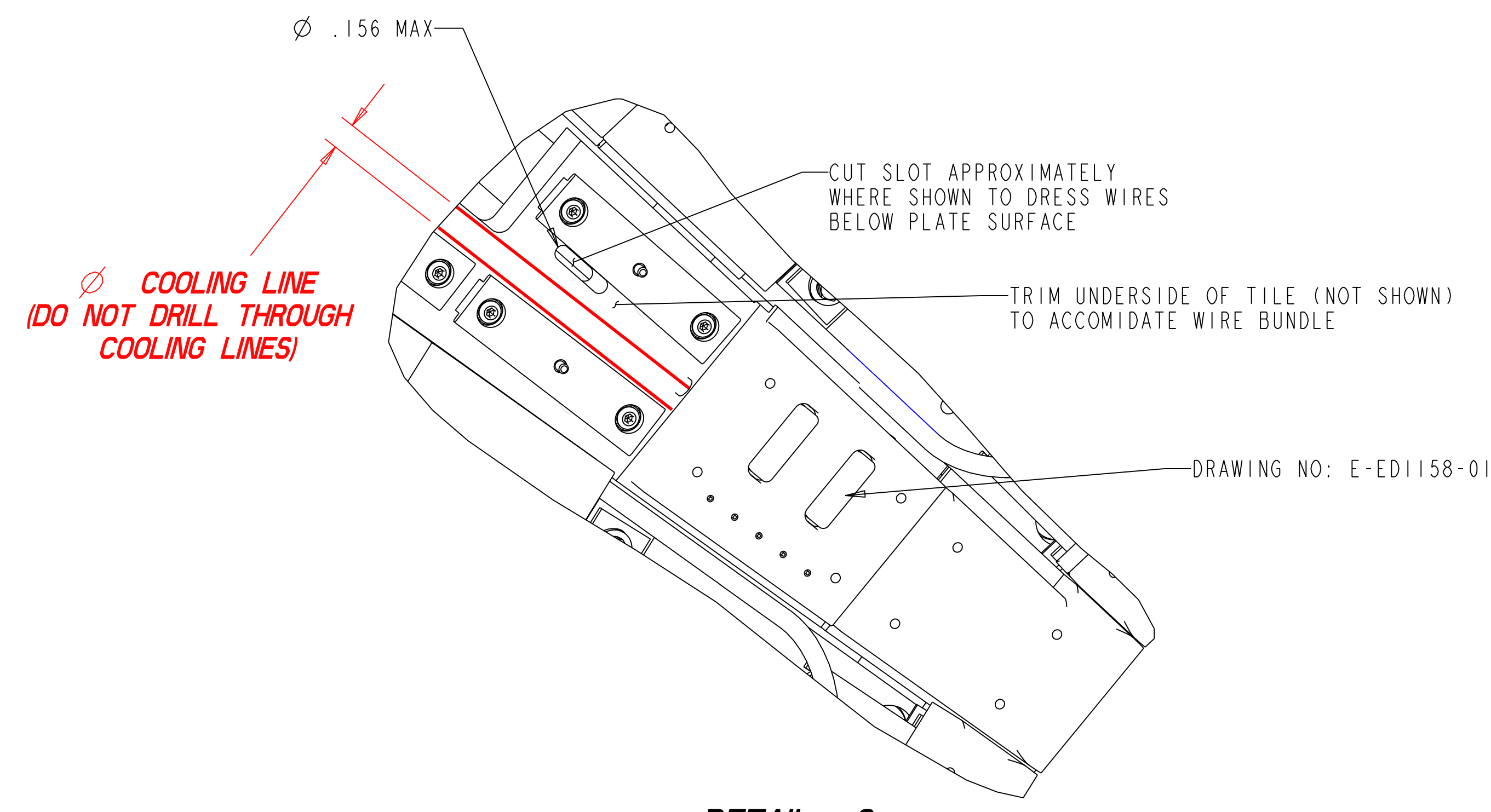


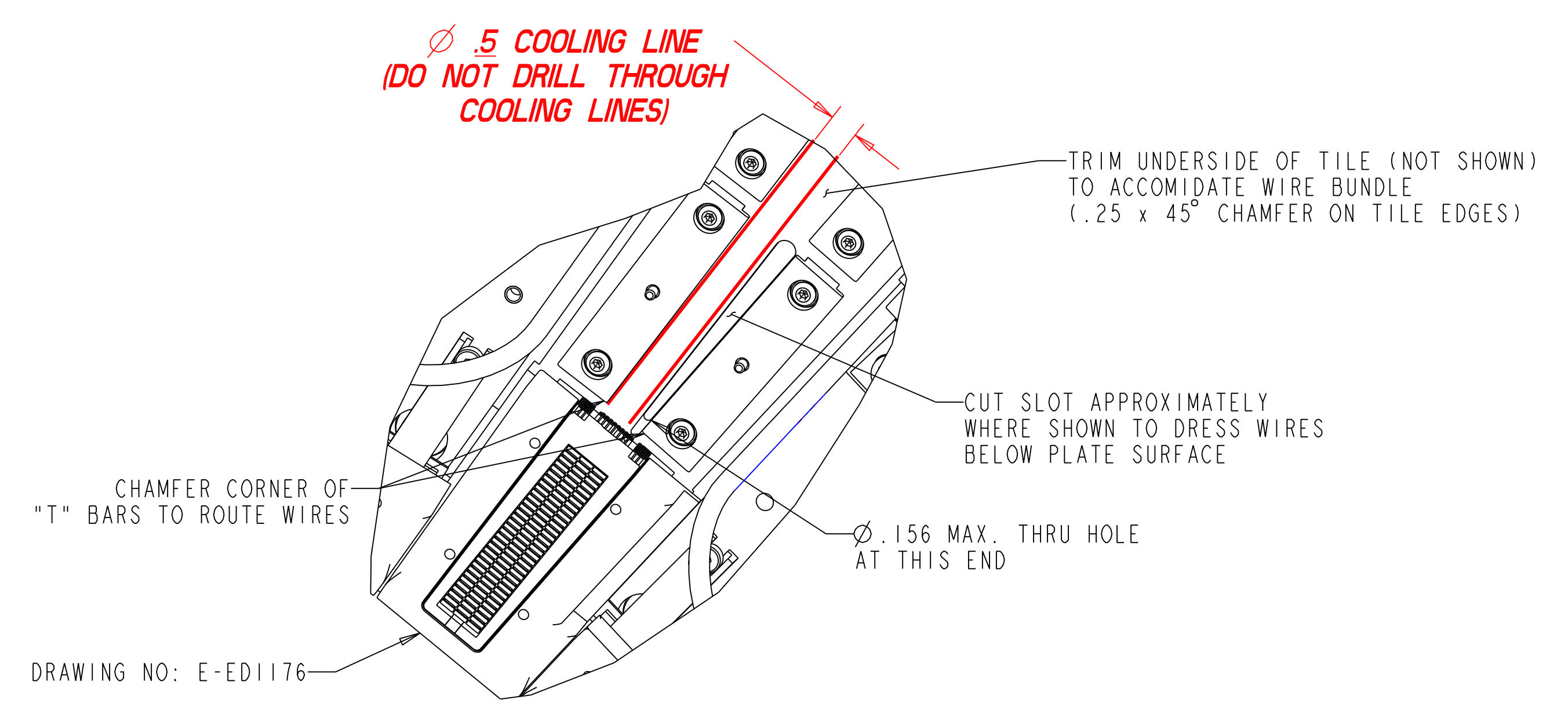
NO.	REVISION	BY	CH	SUP	APPROVED	DATE
-----	----------	----	----	-----	----------	------



DETAIL C
SCALE 0.5

LEGEND:
 L1 = AVERAGE LENGTH FROM THE END OF SENSOR TO MIDDLE OF SLOT.
 L2 = AVERAGE LENGTH DROPPING DOWN TO BOTTOM OF VESSEL.
 L3A = LENGTH ALONG BOTTOM OF VESSEL TO END OF TILES.
 L3B = LENGTH ALONG BOTTOM OF VESSEL UPWARD TO CIRCUMFERENTIAL EDGE.
 L4 = CIRCUMFERENTIAL LENGTH FROM PORT J TO DESIGNATED SENSOR END POINT.
 L5 = VERTICAL DISTANCE DOWNWARD FROM L4 DOWNWARD TO DIVERTOR PORT.
 L6 = VERTICAL DISTANCE DOWNWARD THROUGH FEEDTHRU TREE.
 L7 = SLACK AVAILABLE OUTSIDE FEED THRU.

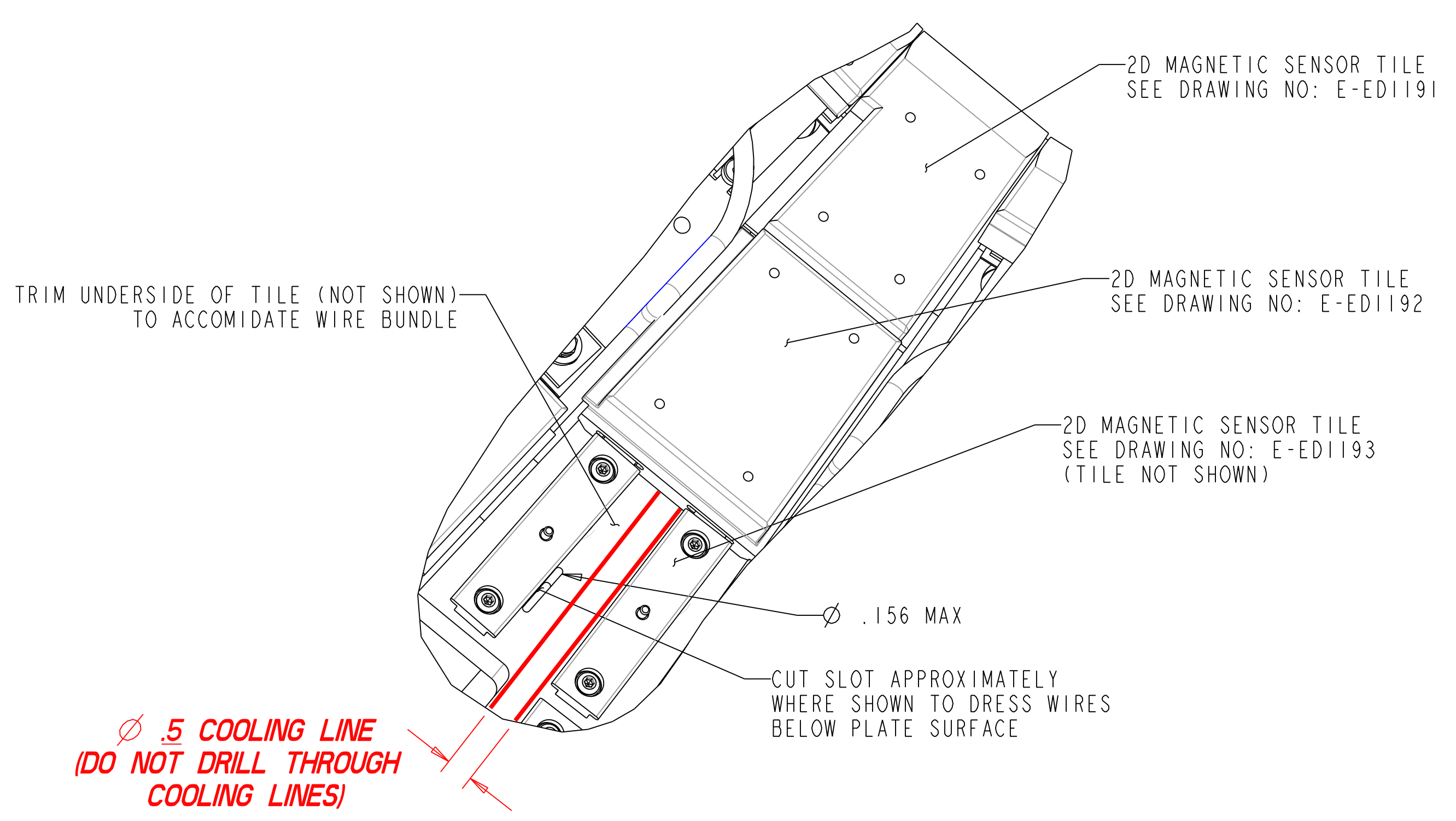
Origion	Sensor Wires	Wiring direction	L1 (inches)	L2 (inches)	L3A (inches)	L3B (inches)	L4 (inches)	L5 (inches)	L6 (inches)	L7 (inches)	Total (inches)	Total (feet)	Total (nearest foot)	Total (cm)	Number of cables (feet)
K	1-7	ccw	2.3	3.9	19.7	2.9	297.5	11	57.5	11.8	406.6	33.9	34	1032.8	7 x 34'



DETAIL B
SCALE 0.5

LEGEND:
 L1 = AVERAGE LENGTH FROM THE END OF SENSOR TO MIDDLE OF SLOT.
 L2 = AVERAGE LENGTH DROPPING DOWN TO BOTTOM OF VESSEL.
 L3A = LENGTH ALONG BOTTOM OF VESSEL TO END OF TILES.
 L3B = LENGTH ALONG BOTTOM OF VESSEL UPWARD TO CIRCUMFERENTIAL EDGE.
 L4 = CIRCUMFERENTIAL LENGTH FROM PORT J TO DESIGNATED SENSOR END POINT.
 L5 = VERTICAL DISTANCE DOWNWARD FROM L4 DOWNWARD TO DIVERTOR PORT.
 L6 = VERTICAL DISTANCE DOWNWARD THROUGH FEEDTHRU TREE.
 L7 = SLACK AVAILABLE OUTSIDE FEED THRU.

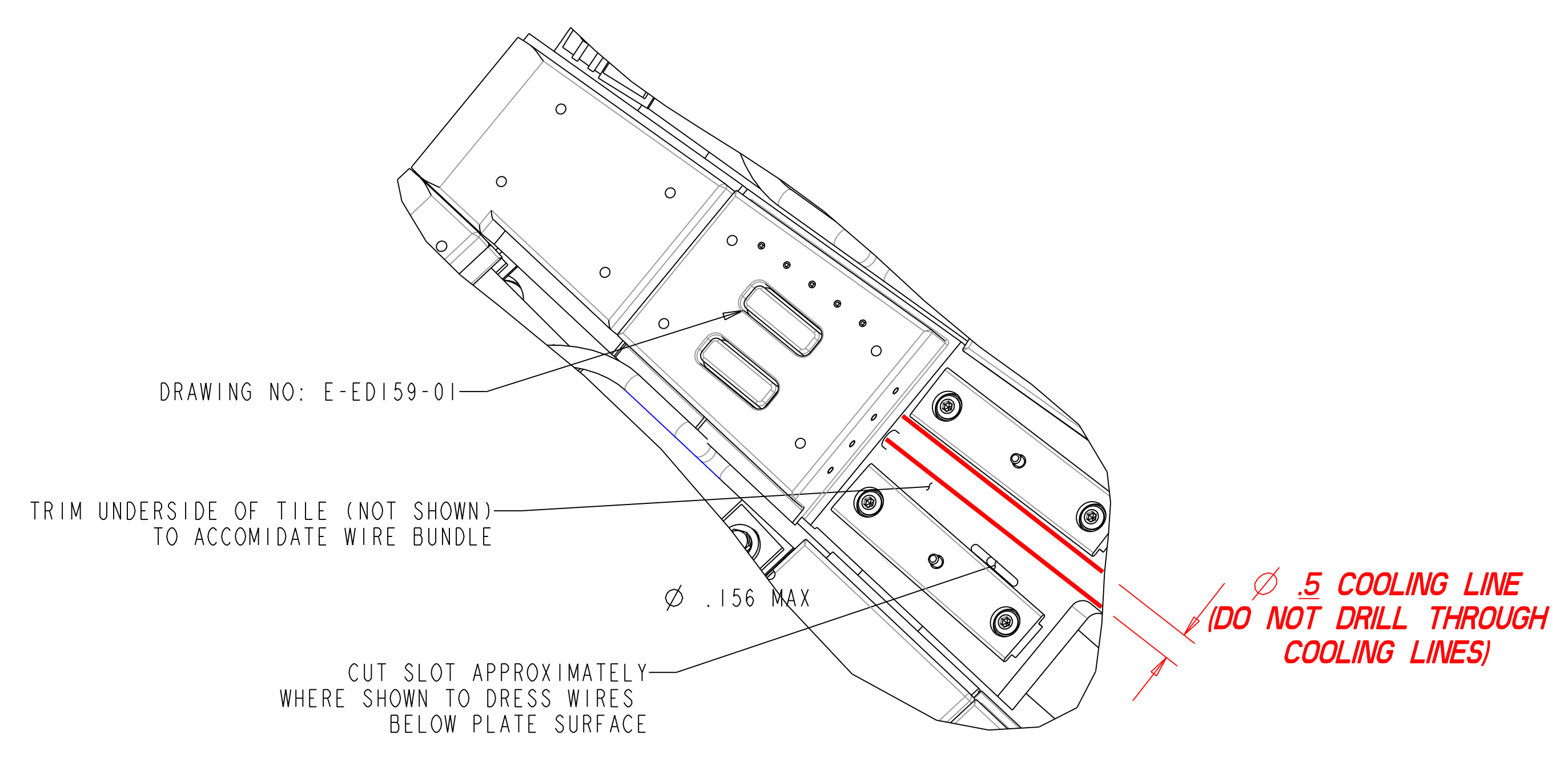
Origion	Sensor Wires	Wiring direction	L1 (inches)	L2 (inches)	L3A (inches)	L3B (inches)	L4 (inches)	L5 (inches)	L6 (inches)	L7 (inches)	Total (inches)	Total (feet)	Total (nearest foot)	Total (cm)	Number of cables (feet)
B	1-99	cw	2.3	3.9	19.7	2.9	101.9	11	57.5	11.8	211	17.6	18	535.94	99x 18'



DETAIL D
SCALE 0.5

LEGEND:
 L1 = AVERAGE LENGTH FROM THE END OF SENSOR TO MIDDLE OF SLOT.
 L2 = AVERAGE LENGTH DROPPING DOWN TO BOTTOM OF VESSEL.
 L3A = LENGTH ALONG BOTTOM OF VESSEL TO END OF TILES.
 L3B = LENGTH ALONG BOTTOM OF VESSEL UPWARD TO CIRCUMFERENTIAL EDGE.
 L4 = CIRCUMFERENTIAL LENGTH FROM PORT J TO DESIGNATED SENSOR END POINT.
 L5 = VERTICAL DISTANCE DOWNWARD FROM L4 DOWNWARD TO DIVERTOR PORT.
 L6 = VERTICAL DISTANCE DOWNWARD THROUGH FEEDTHRU TREE.
 L7 = SLACK AVAILABLE OUTSIDE FEED THRU.

Origion	Sensor Wires	Wiring direction	L1 (inches)	L2 (inches)	L3A (inches)	L3B (inches)	L4 (inches)	L5 (inches)	L6 (inches)	L7 (inches)	Total (inches)	Total (feet)	Total (nearest foot)	Total (cm)	Number of cables (feet)
H	1-7	ccw	2.3	3.9	19.7	2.9	57.6	11	57.5	11.8	166.7	13.9	14	423.42	7 x 14'



DETAIL E
SCALE 0.5

LEGEND:
 L1 = AVERAGE LENGTH FROM THE END OF SENSOR TO MIDDLE OF SLOT.
 L2 = AVERAGE LENGTH DROPPING DOWN TO BOTTOM OF VESSEL.
 L3A = LENGTH ALONG BOTTOM OF VESSEL TO END OF TILES.
 L3B = LENGTH ALONG BOTTOM OF VESSEL UPWARD TO CIRCUMFERENTIAL EDGE.
 L4 = CIRCUMFERENTIAL LENGTH FROM PORT J TO DESIGNATED SENSOR END POINT.
 L5 = VERTICAL DISTANCE DOWNWARD FROM L4 DOWNWARD TO DIVERTOR PORT.
 L6 = VERTICAL DISTANCE DOWNWARD THROUGH FEEDTHRU TREE.
 L7 = SLACK AVAILABLE OUTSIDE FEED THRU.

Origion	Sensor Wires	Wiring direction	L1 (inches)	L2 (inches)	L3A (inches)	L3B (inches)	L4 (inches)	L5 (inches)	L6 (inches)	L7 (inches)	Total (inches)	Total (feet)	Total (nearest foot)	Total (cm)	Number of cables (feet)
E	1-7	ccw	2.3	3.9	19.7	2.9	140	11	57.5	11.8	249.1	20.8	21	632.71	7 x 21'

COMPUTER GENERATED DRAWING MANUAL CHANGES NOT PERMITTED	CENTRAL FILES: UNLESS OTHERWISE SPECIFIED	PRINCETON PLASMA PHYSICS LABORATORY PRINCETON UNIVERSITY NATIONAL SPHERICAL TORUS EXPERIMENT			
MODEL NAME E-ED1171	Pro E	DIMENSIONS ARE IN INCHES MACHINE SURFACES		LIQUID LITHIUM DIVERTOR WIRING ASSEMBLY	
DO NOT VERIFY INFORMATION BY SCALING DRAWING	BREAK SHARP EDGES .005/ .020	TOLERANCES - NON-CUMULATIVE		DIV: MECH. ENG.	CADD FILE: E-ED1171.DRW
17-Apr-09	WELDING ENGINEER	DECIMAL-INCH	FRACTIONS	ENG: R. ELLIS	APPROVED
APPVD: DATE		.XX	+/-.100 0"/12" +.1184	DSN: R. UPCAVAGE	M. VIOLA
		.XX	+/-.030 12"/12" +.1184	CHK: R. ELLIS	CHR SURV JS
		.XX	+/-.005 32"/120" +.1184 OVER 120"/112		
			ANGULAR +/- 0° 15'		

NSTX-E-ED1171