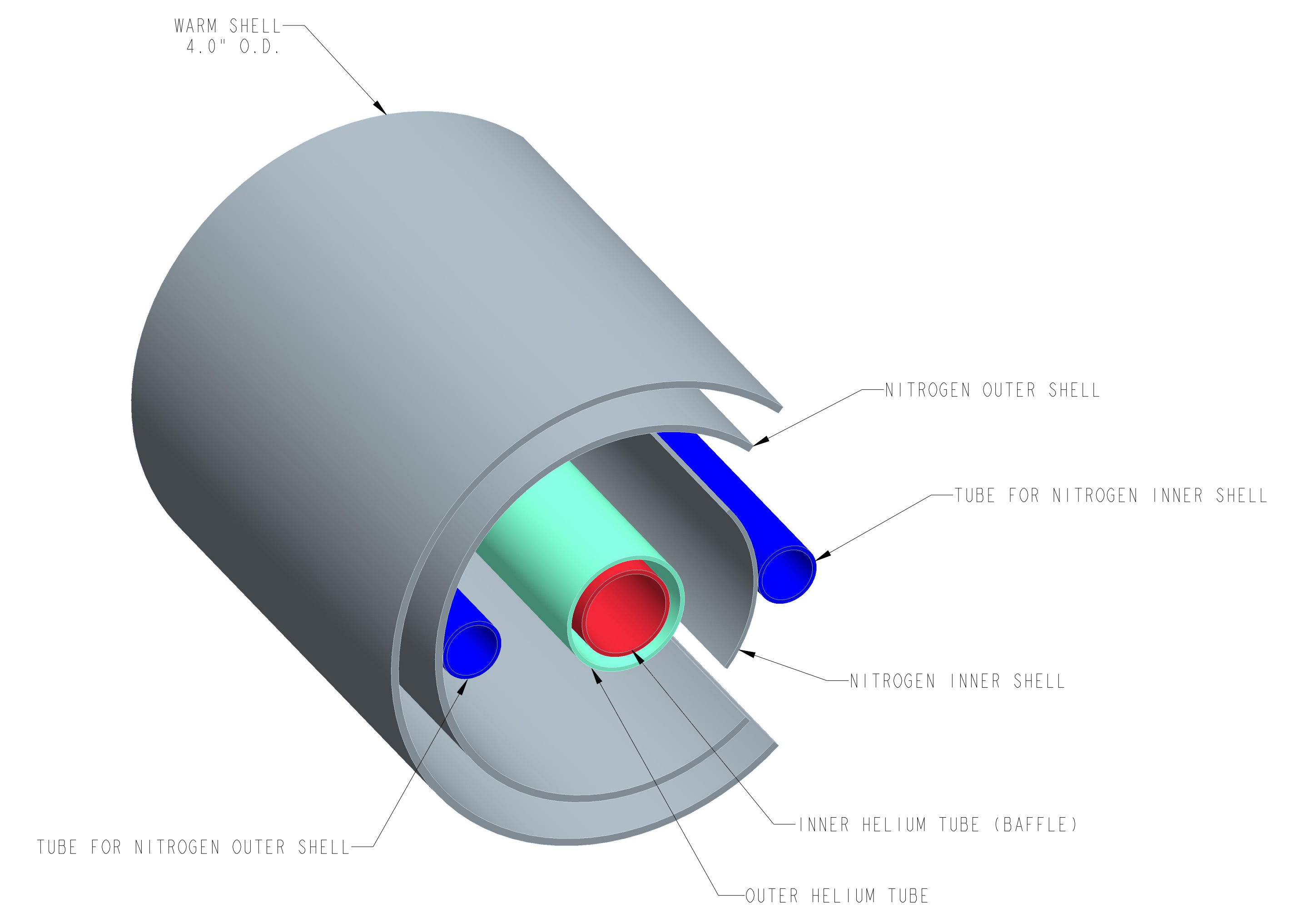
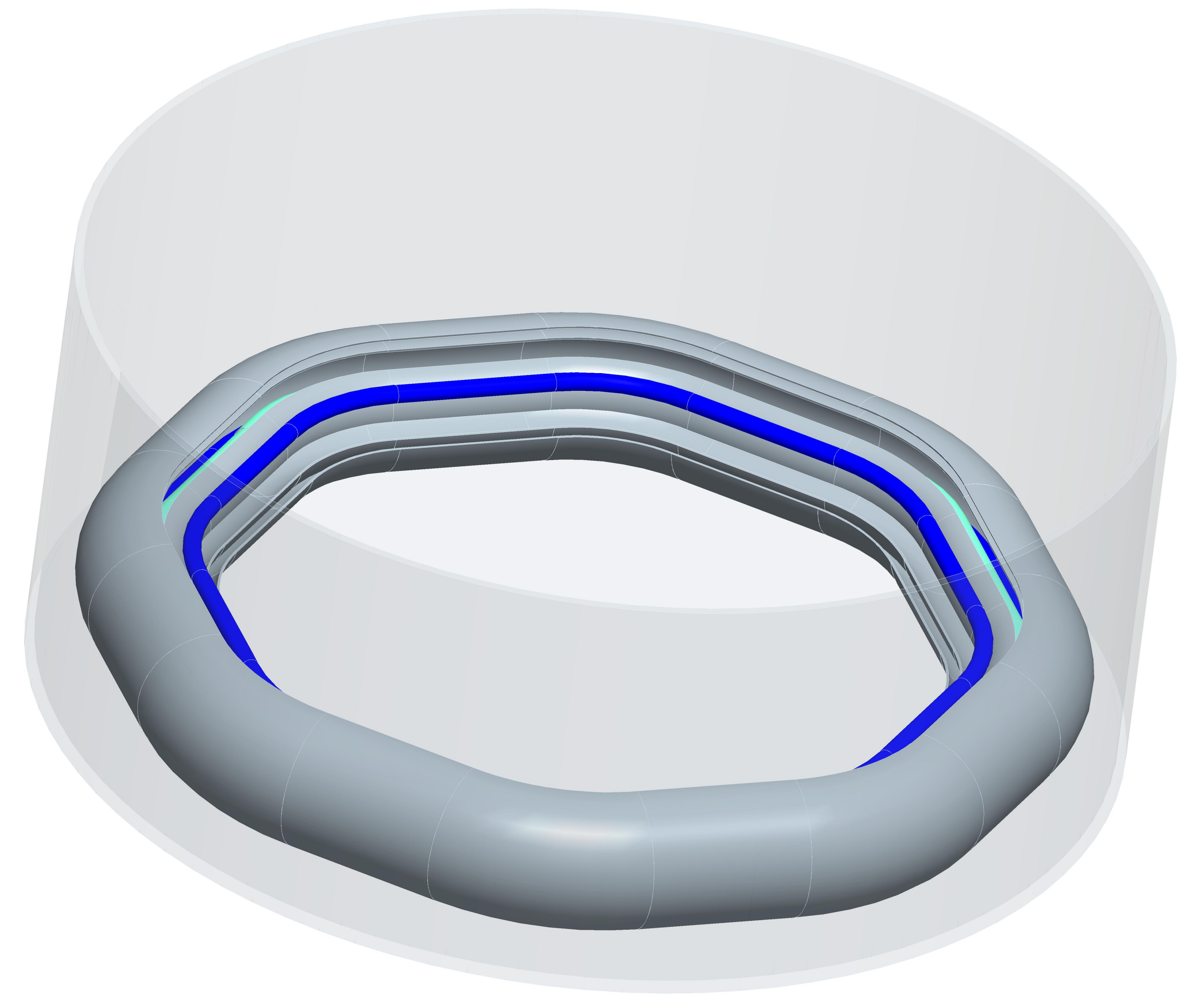
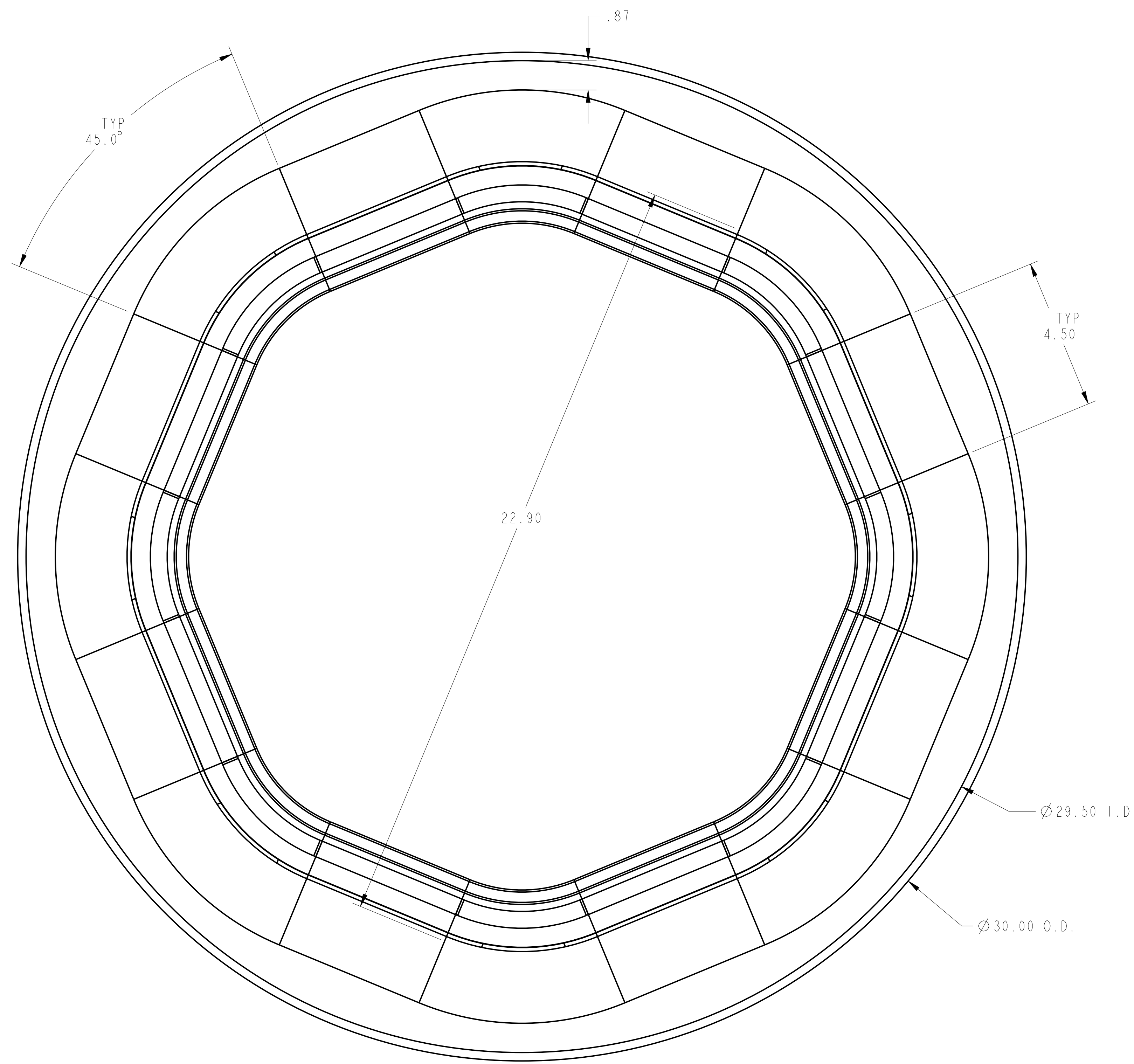


Clipping State: A

.010  
-A-

.010



CRYO RING PROTOTYPE