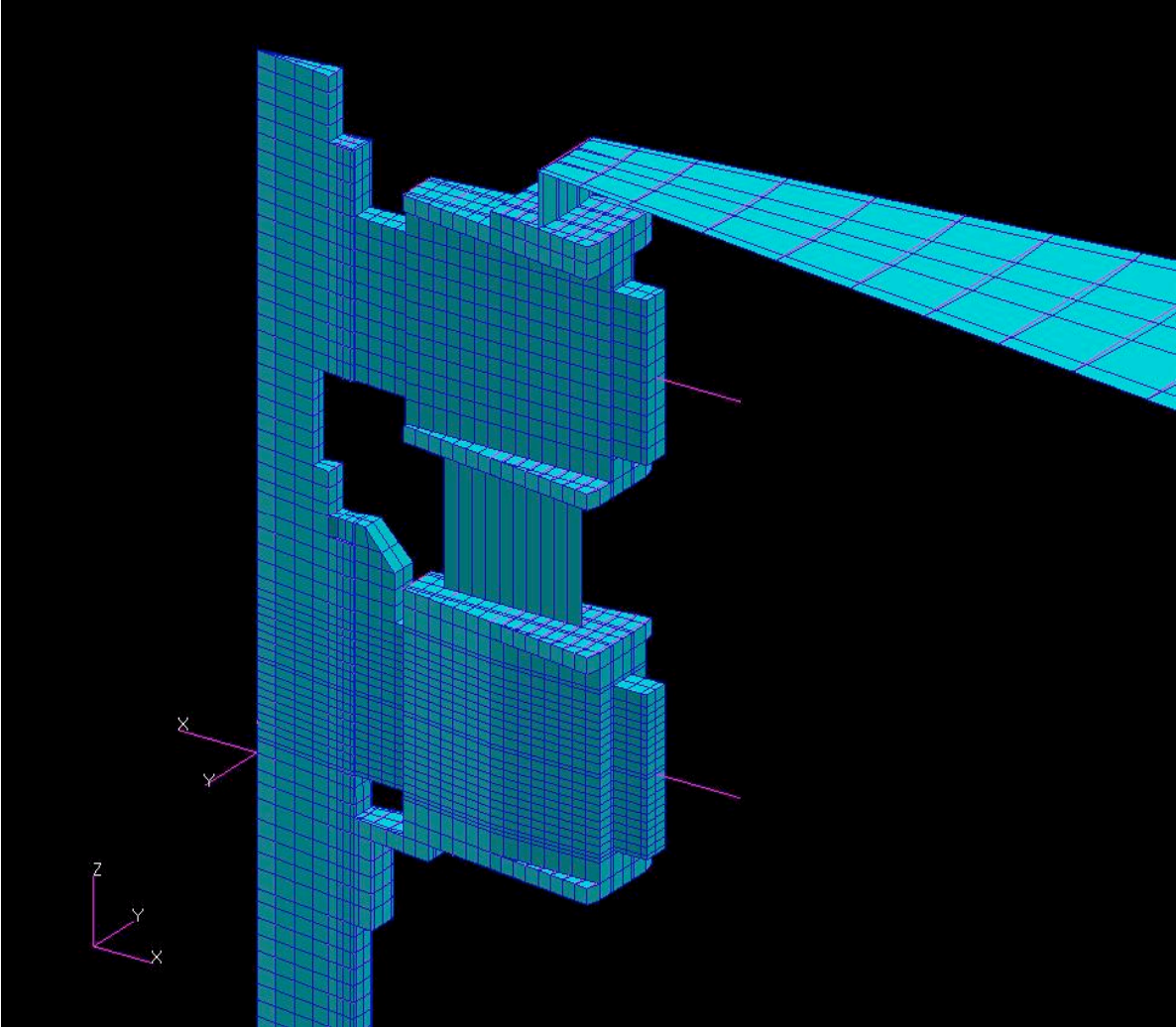


Finite Element Model of TF Joint



Finite Element Analysis of TF Joint

