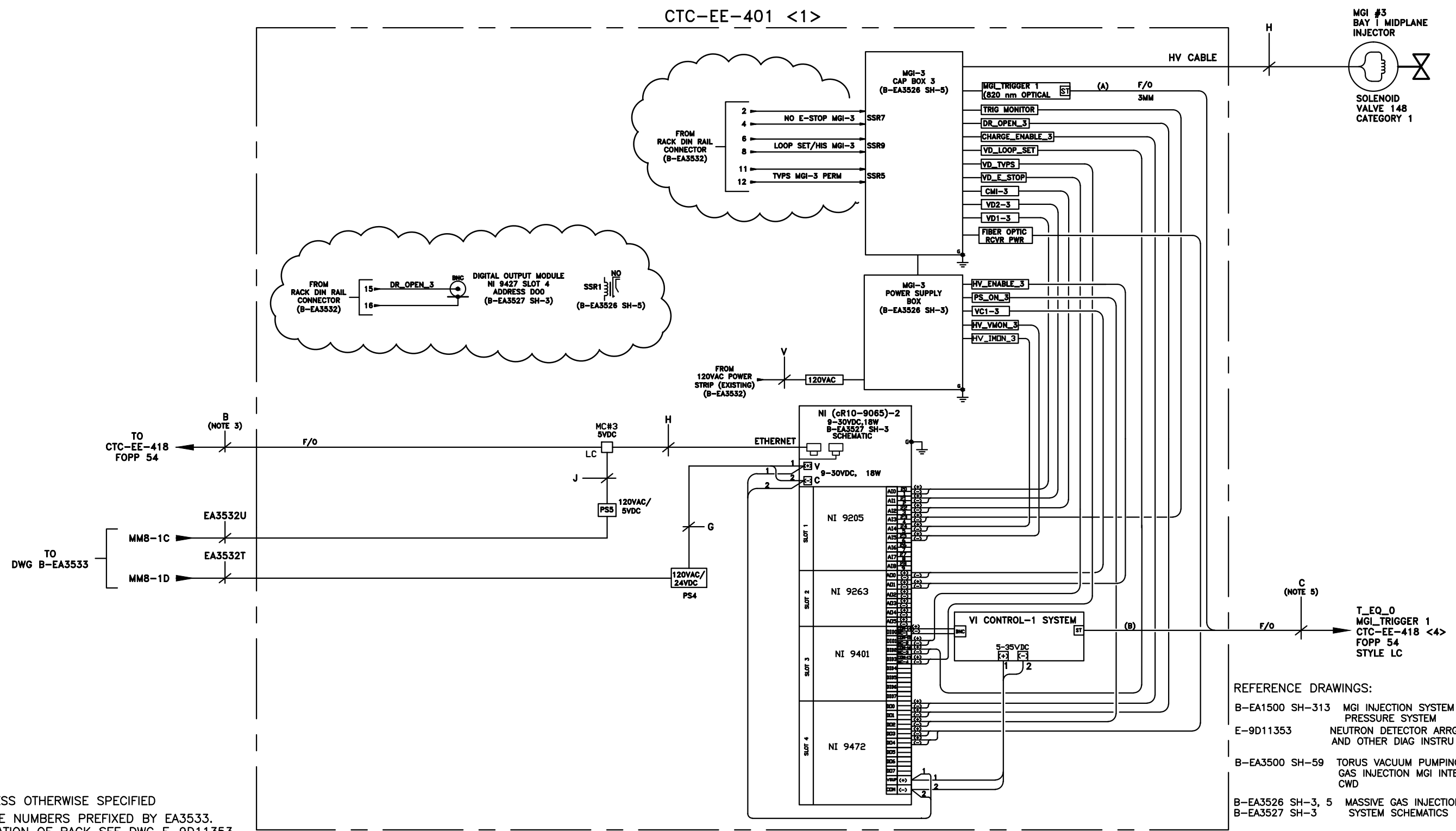


CTC-EE-401 <1>



- REFERENCE DRAWINGS:
- B-EA1500 SH-313 MGI INJECTION SYSTEM TORUS PRESSURE SYSTEM
  - E-9D11353 NEUTRON DETECTOR ARR'G'T AND OTHER DIAG INSTRU
  - B-EA3500 SH-59 TORUS VACUUM PUMPING SYS GAS INJECTION MGI INTERLOCK CWD
  - B-EA3526 SH-3, 5 MASSIVE GAS INJECTION SYSTEM SCHEMATICS

- LEGEND
- MC- MEDIA CONVERTER
  - LC-ST 3mm JACKET
  - LC>LC 4.8mm JACKET

- NOTES: UNLESS OTHERWISE SPECIFIED
- ALL CABLE NUMBERS PREFIXED BY EA3533.
  - FOR LOCATION OF RACK SEE DWG E-9D11353.
  - FIBER TO BE PRE-TERMINATED OM3 AQUA RND JKT, 4.8mm OD, GIGALITE10, OFPN, 50/125u, 2 STRAIN A-A POLARITY, LC>LC. DUPLEX CLIP LEADER = 12" EACH END.
  - COAX RG58/U CABLES SHALL BE PLENUM RATED RATED.
  - FIBER TO BE PRE-TERMINATED OM3 AQUA RND JKT, 3mm OD, GIGALITE10, OFPN, 50/125u, 2 STRAIN A-A POLARITY, ST>LC. DUPLEX CLIP LEADER = 12" EACH END.

REV 1 PER ECN-7743, WP-2133 INITIATED PER ECN-7659, WP# 2113 INSTALLATION PROCEDURE D-NSTX-IP-3824

COMPUTER GENERATED  
DRAWING - MANUAL CHANGES  
NOT PERMITTED

CADD FILE  
NUMBER  
1BEA3533.DWG

8				4					
7				3					
6				2					
5				1	5-27-16	GG	RVK	FH/LM	
REV	DATE	BY	APPROVED	REV	DATE	BY	APPROVED		

DIV DIAGNOSTIC  
ENG J. SCHMITT  
DR GG CH RVK  
DATE 3-21-16

APPROVED  
J.SCHMITT  
3-21-16  
CH RVK SUPV LM

PLASMA PHYSICS LABORATORY  
PRINCETON UNIVERSITY  
NATIONAL SPHERICAL TORUS EXPERIMENT  
MASSIVE GAS INJECTION SYSTEM  
MGI #3 BAY 1 MIDPLANE  
CONTROL WIRING DIAGRAM

NSTX  
B-EA3533  
SH-1 OF 1