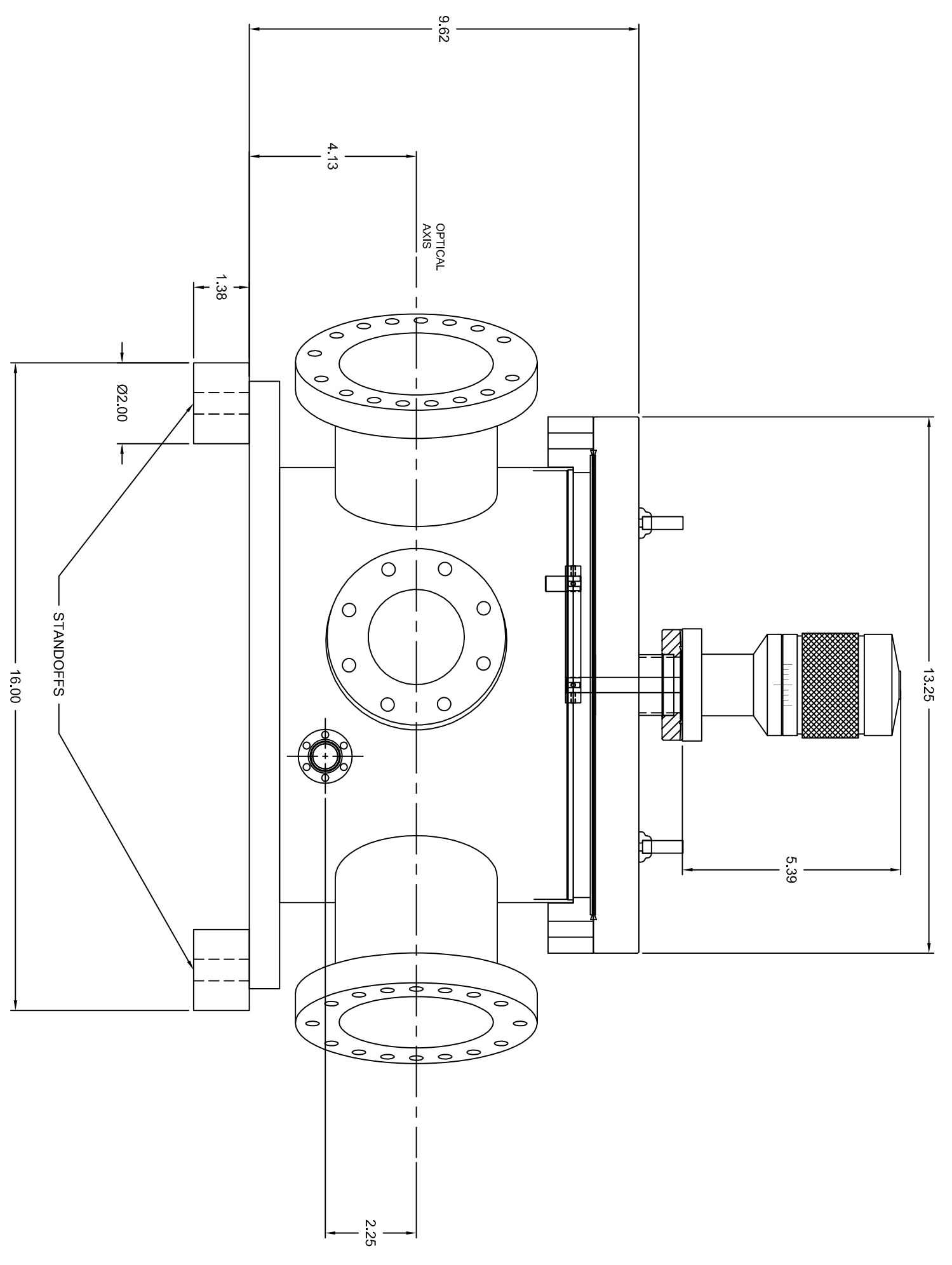
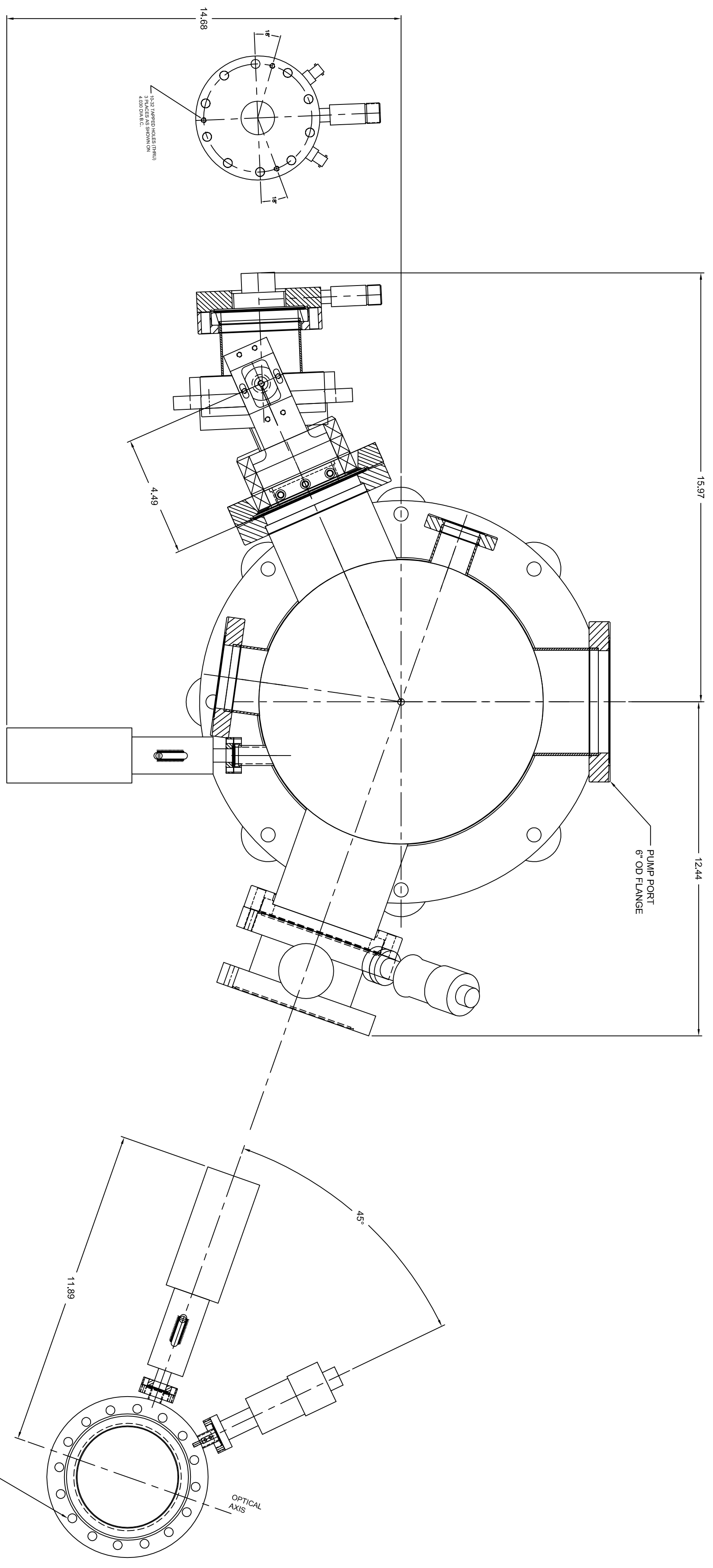


THIS DRAWING IS THE PROPERTY OF THE COMPANY AND IS NOT TO BE REPRODUCED OR TRANSMITTED IN ANY FORM OR BY ANY MEANS, ELECTRONIC OR MECHANICAL, INCLUDING PHOTOCOPYING, RECORDING, OR BY ANY INFORMATION STORAGE AND RETRIEVAL SYSTEM, WITHOUT THE WRITTEN PERMISSION OF THE COMPANY.

REV	REVISIONS	DATE	APPROVED



UNLESS OTHERWISE SPECIFIED	MODEL NO.	XXXXXXXX	DATE	11/17/14
FINISH: ---	DRAWN BY	XXXXXXXX	CHECKED	XXXXXXXX
	DESIGNED BY	XXXXXXXX	DATE	11/17/14
	APPROVED BY	XXXXXXXX		
	SCALE	1/2		
	SHEET	2	OF	2

McPHERSON, INC.
 74 SUMMIT ROAD, CHELSEA, MA 01824, TEL: 978-284-4412
 MODEL 251
 SIZE: 500-112729
 JOB NO.:
 SHEET 2 OF 2