



# DIGITEL™ SPC

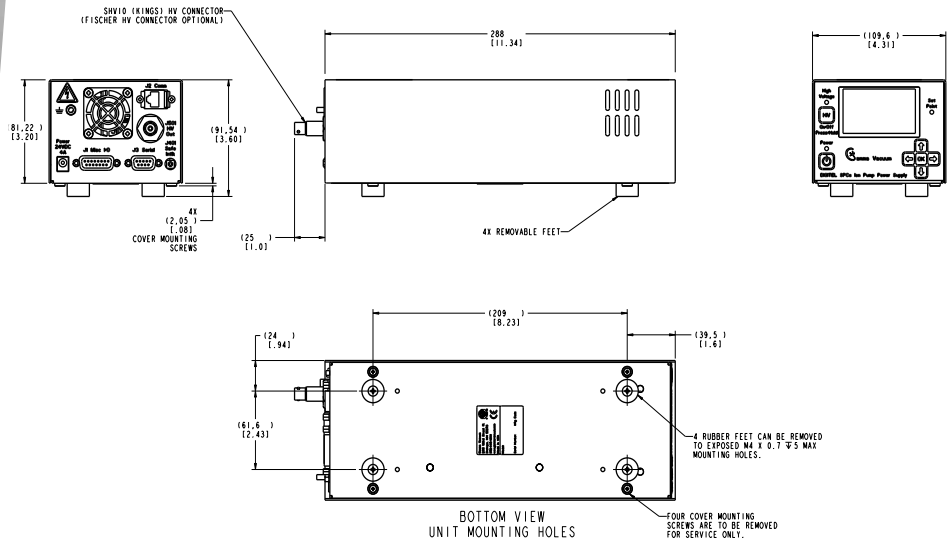
## Small Pump Controller



### TECHNICAL SPECIFICATIONS

<b>INPUT POWER</b>	
Voltage	90-240 VAC or 24 VDC
Frequency	48-62 Hz
<b>OUTPUT POWER</b>	
Independent Outputs	1
Open Circuit Voltage	3000-7000 VDC (+/- factory configurable)
Current (maximum)	50 mA
Watts (maximum)	50
Resolution	1 nA
<b>HIGH VOLTAGE CONNECTIONS</b>	
One 10kV SHV or Fischer	
<b>DISPLAY</b>	
Type	LCD
Readouts	Pressure, current, voltage, and programmable options
<b>ANALOG OUTPUTS</b>	
Voltage	linear, configurable
Current/Pressure	linear or logarithmic, 1V per 1000V
<b>SETPOINTS</b>	
One relay, one TTL	
<b>COMMUNICATIONS</b>	
Local/Remote/Full	
Ethernet	
Serial: 232, 422, 485	
<b>CONFORMITY TO NORMS</b>	
EN 55011 Class A, IEC 801-2	
EN 801-3, IEC 801-4, EN 61010-1	
<b>WEIGHT, KG (LBS)</b>	
1.5 (3.3)	
<b>SIZE</b>	
2U high, 1/4 rack wide	
313 mm (12.3 in.) deep	
<b>ADDITIONAL FEATURES</b>	
SAFECONN	
AUTOSTART/AUTORUN	
High Voltage Enable	
Fowler-Nordheim Calibration	
High-Pot Capability	

### DIMENSIONAL DETAILS



**STANDARD OPTIONS\***

High Voltage		Input Voltage	Communications	Remote Enable	TSP/NEG
1	One Section	US110 90-130 volts US 110 plug	232 Serial 232	N Standard	N Not Available
		US220 200-240 volts US 220 plug	422 Serial 422		
		EC230 200-240 volts EC 230 plug	485F Serial 485 Full duplex		
		UK240 200-240 volts UK 240 plug	485H Serial 485 Half duplex		
		AU230 200-240 volts AU 230 plug	E Ethernet		
		B24 Bare wire for 24v Connector Supplied			

**HIGH VOLTAGE OPTIONS**

Current		Polarity	Output Voltage	Output Connections
50	50mA/50W	POS Positive	7KV Variable	SC1 Single SHV SM8 SAFECONN
		NEG Negative		FB1 Single Fischer Banana SAFECONN

\*Configured part numbers and pricing are available at [www.gammavacuum.com](http://www.gammavacuum.com).

**GAMMA VACUUM**

2915 133rd Street West  
Shakopee, MN 55379 | USA  
800.237.3603 T | 952.445.4841 P  
952.445.7615 F

[gammavacuum.com](http://gammavacuum.com) | [info@gammavacuum.com](mailto:info@gammavacuum.com)