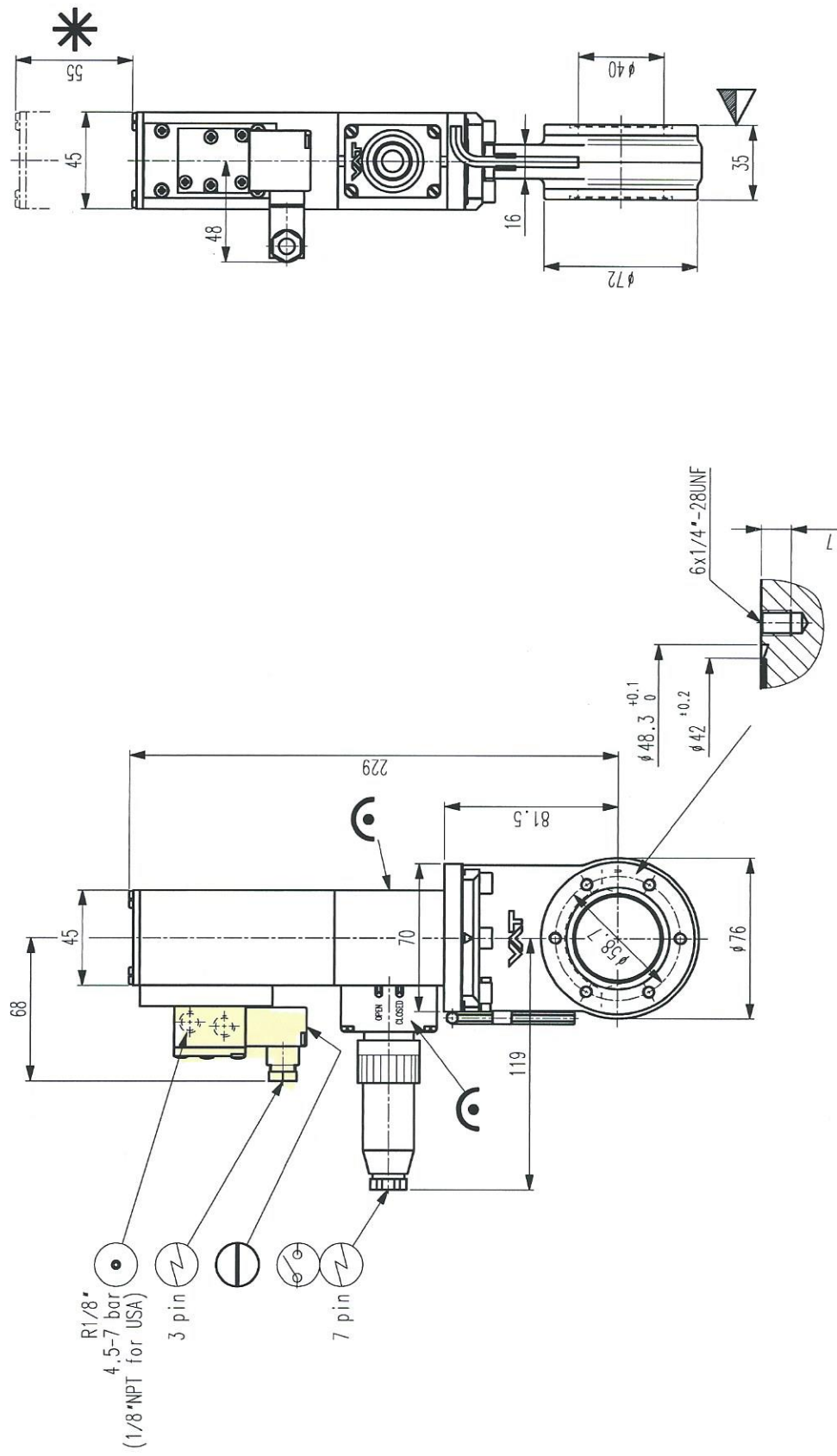


This drawing is the property of VAT.

Customer number
Revision



- Seal side
- Comp. air connection
- Electrical connection
- Leak detection port
- Mech. pos. indication
- Position indicator
- Required for dismantling
- Emergency actuation
- For attachment
- Bake-out area
- Differential pumping port

Mini UHV gate valve

01032-UE

VAT Vakuumventile AG
CH-9469 Haag, Switzerland
Tel. ++41 81 7716161 Fax ++41 81 7714830

Series	010	Ordering No.	01032-UE44-0005
Projection E		DN	40
Flange			CF-F UNF
Dimensional Drawing		Rev.	316020

Date: 02.05.06
Name: GRK