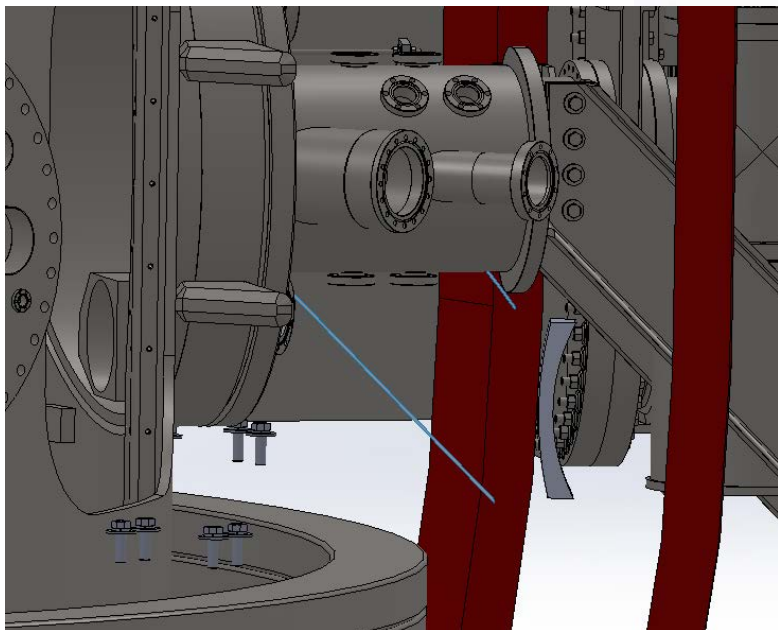
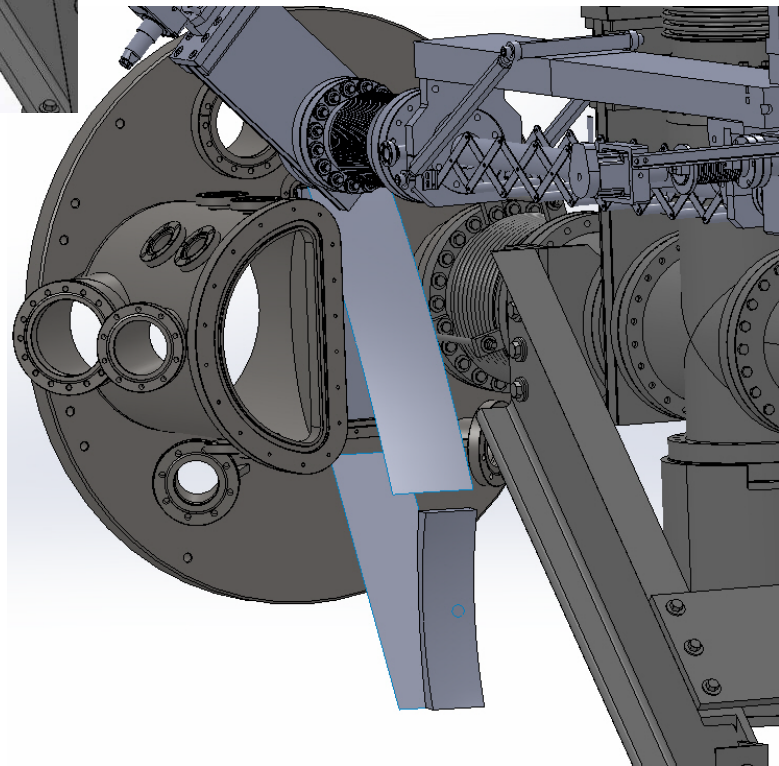
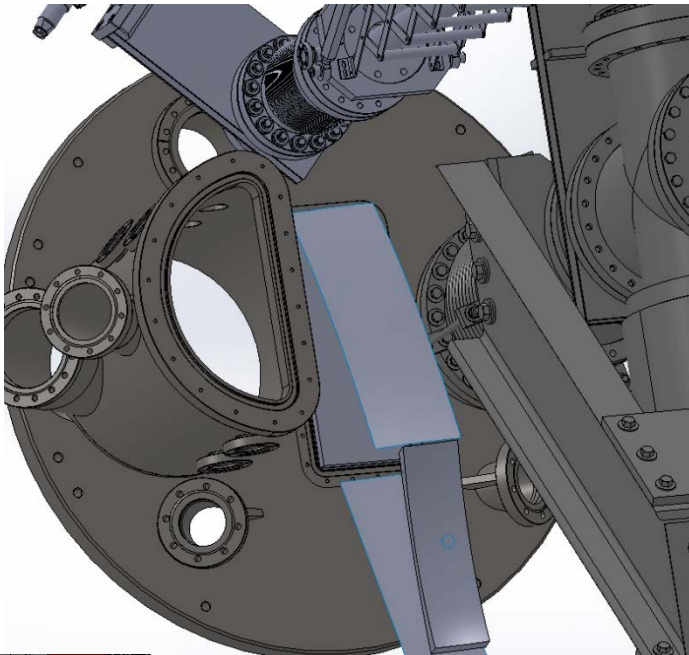
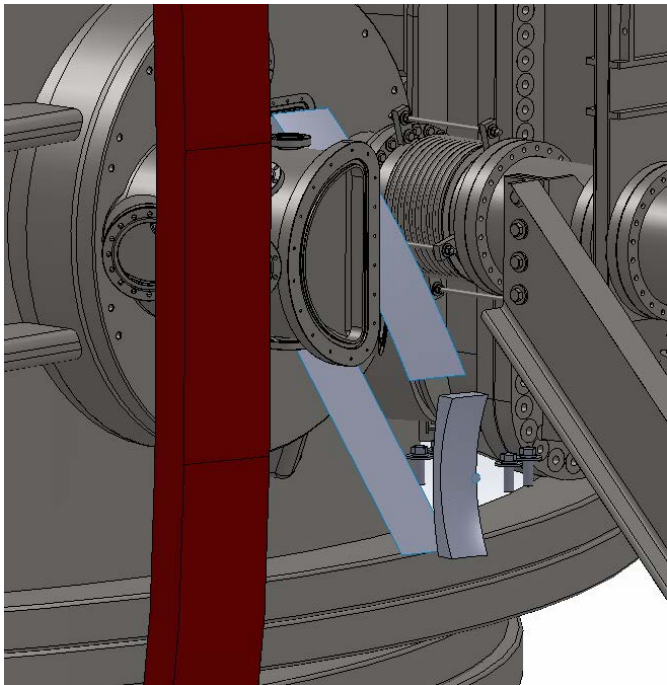
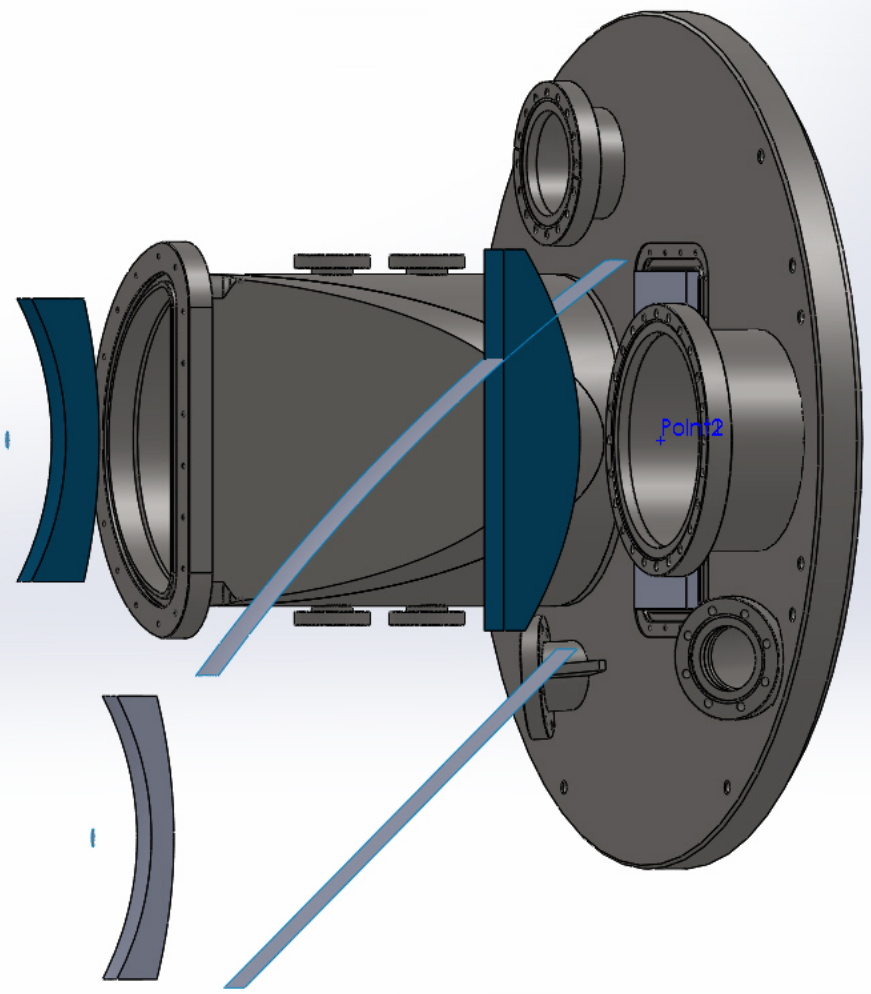
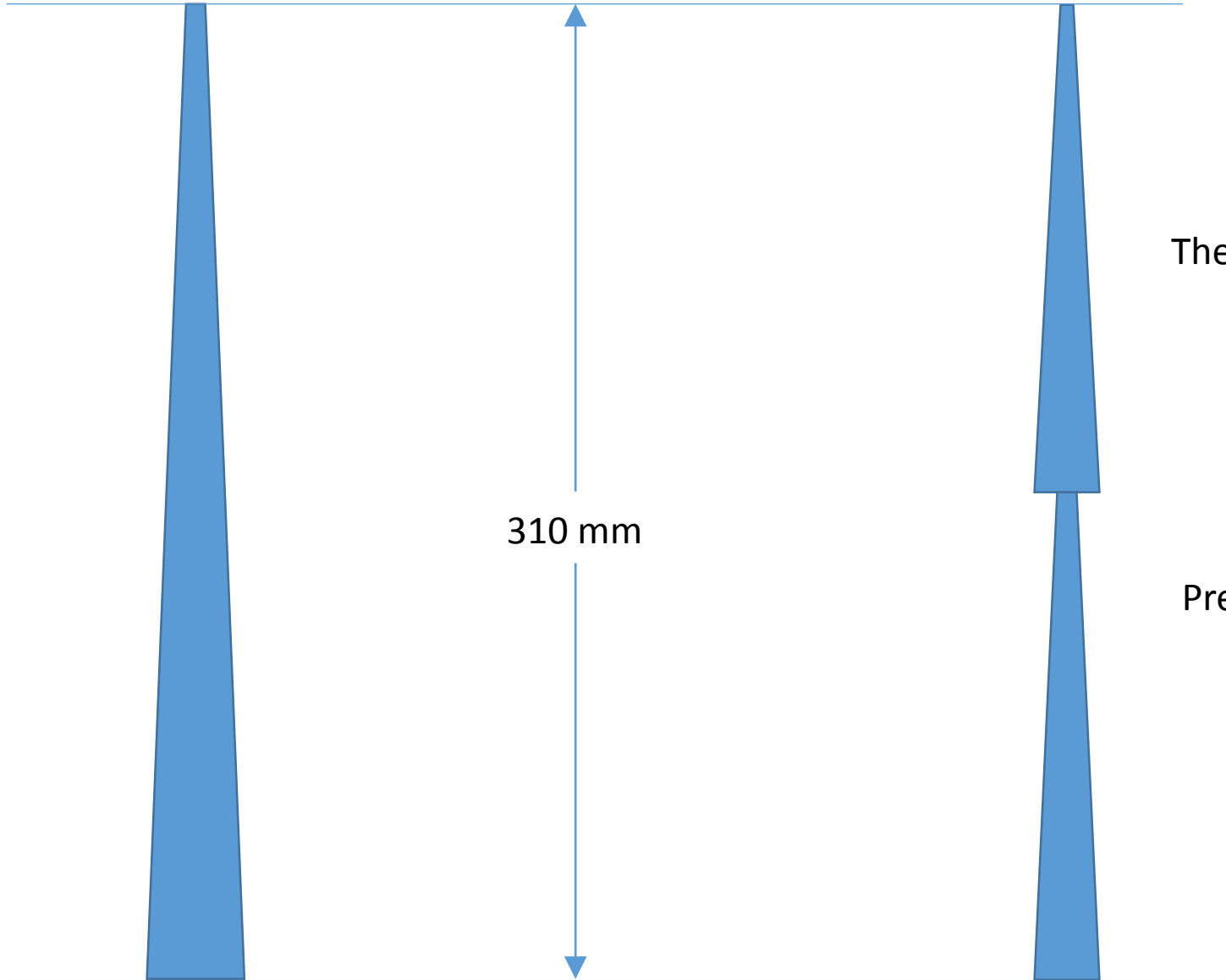


140.00 MM







The wedge is angled  $3.3^\circ$  on each side

Wedge is to be of HDPE, and is  
310 mm high by 94 mm wide

Preference is to have the two thinner  
wedges than one large wedge

